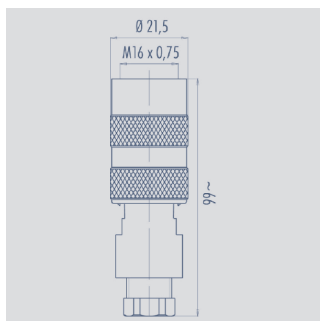
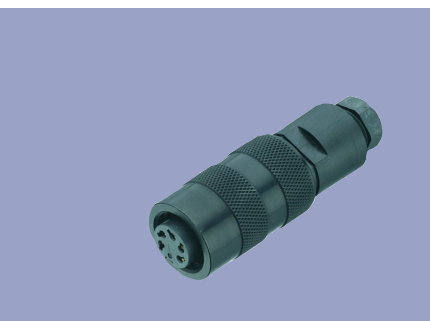
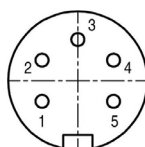


Accessories
Connector System M16



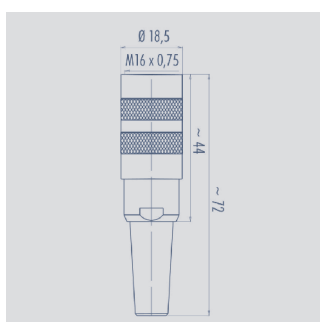
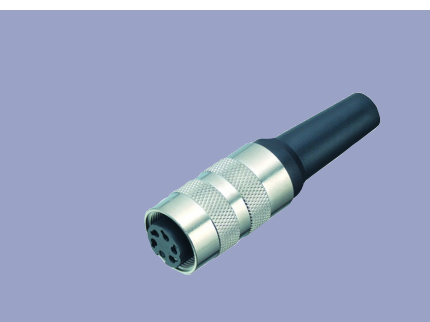
Pin assignment



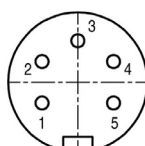
M16x0.75 Mating female connector
5-pin, straight, with coupling nut,
solder terminal, IP67, not shielded

Connector housing	Plastic PA -40 °C... +95 °C
For wire gauge	4...6 mm, max. 0.75 mm ²

Type EEM 33-70, P/N 005611



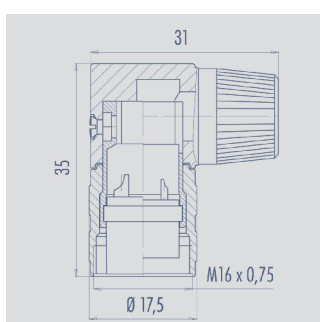
Pin assignment



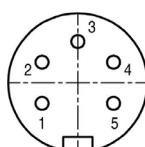
M16x0.75 Mating female connector
5-pin, straight, with coupling nut,
solder terminal, IP40, shielded

Connector housing	CuZn (Brass, nickel plated) -40 °C... +85 °C
For wire gauge	4...6 mm, max. 0.75 mm ²

Type EEM 33-71, P/N 005612



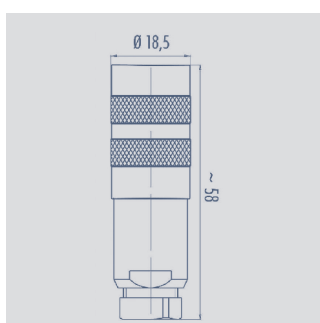
Pin assignment



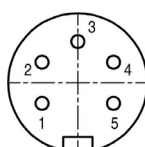
M16x0.75 Mating female connector
5-pin, angled, with coupling nut,
solder terminal, IP40, not shielded

Connector housing	Plastic PA -40 °C... +85 °C
For wire gauge	6...8 mm, max. 0.75 mm ²

Type EEM 33-72, P/N 005613



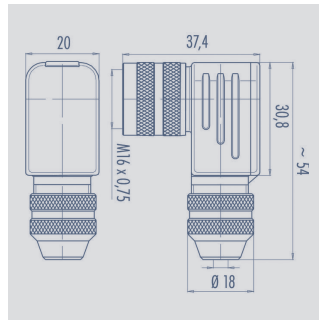
Pin assignment



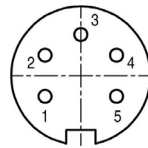
M16x0.75 Mating female connector
5-pin, straight, with coupling nut,
solder terminal, IP67, shielded

Connector housing	CuZn (Brass, nickel plated) -40 °C... +95 °C
For wire gauge	4...6 mm, PG7 max. 0.75 mm ²

Type EEM 33-76, P/N 005614



Pin assignment

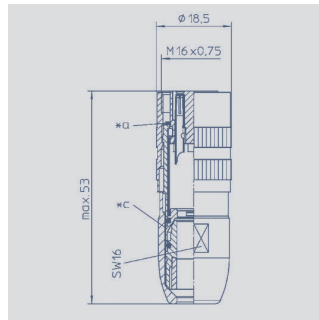


**M16x0.75 Mating female connector
5-pin, angled, with coupling nut,
solder terminal, IP67, shielded**

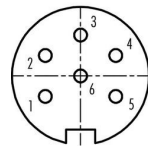
Connector housing	CuZn (Brass, nickel plated) -40 °C... +95 °C
-------------------	--

For wire gauge	4...6 mm, PG 7 max. 0.75 mm ²
----------------	---

Type EEM 33-77, P/N 005615



Pin assignment

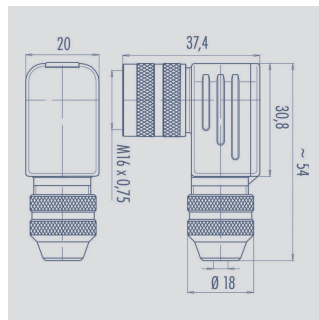


**M16x0.75 Mating female connector
6-pin, straight, with coupling nut,
solder terminal, IP68, shielded**

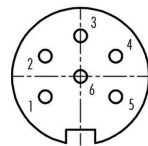
Connector housing	CuZn (Brass, nickel plated) -40 °C... +85 °C
-------------------	--

For wire gauge	4...8 mm, max. 0.75 mm ²
----------------	--

Type EEM 33-82, P/N 005639



Pin assignment

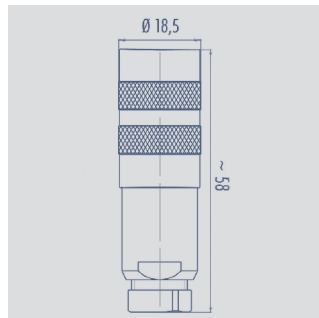


**M16x0.75 Mating female connector
6-pin, angled, with coupling nut,
solder terminal, IP67, shielded**

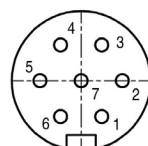
Connector housing	CuZn (Brass, nickel plated) -40 °C... +95 °C
-------------------	--

For wire gauge	6...8 mm, PG 9 max. 0.75 mm ²
----------------	---

Type EEM 33-94, P/N 005648



Pin assignment

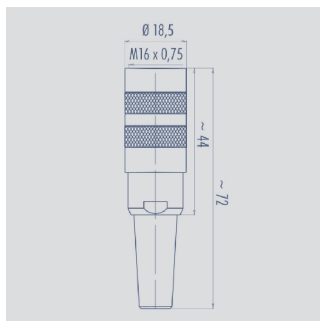


**M16x0.75 Mating female connector
7-pin, straight, with coupling nut,
solder terminal, IP67, shielded**

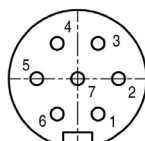
Connector housing	CuZn (Brass, nickel plated) -40 °C... +95 °C
-------------------	--

For wire gauge	4...6 mm, PG 7 max. 0.75 mm ²
----------------	---

Type EEM 33-78, P/N 005621



Pin assignment

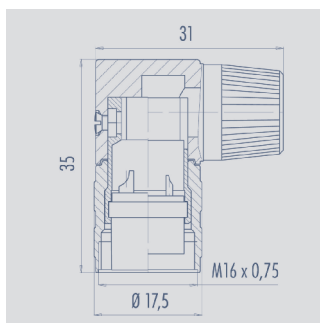


M16x0.75 Mating female connector, 7-pin, straight, with coupling nut, solder terminal, IP40, shielded

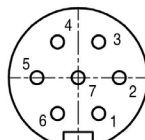
Connector housing	CuZn (Brass, nickel plated) -40 °C... +85 °C
-------------------	--

For wire gauge	4...6 mm, max. 0.75 mm ² ;
----------------	--

Type EEM 33-79, P/N 005622



Pin assignment

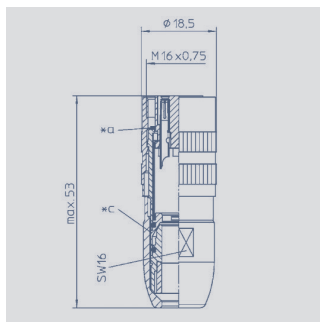


M16x0.75 Mating female connector, 7-pin, angled, with coupling nut, solder terminal, IP40, not shielded

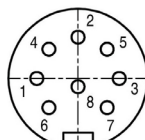
Connector housing	Plastic PA -40 °C... +85 °C
-------------------	--------------------------------

For wire gauge	6...8 mm, max. 0.75 mm ²
----------------	--

Type EEM 33-80, P/N 005623



Pin assignment

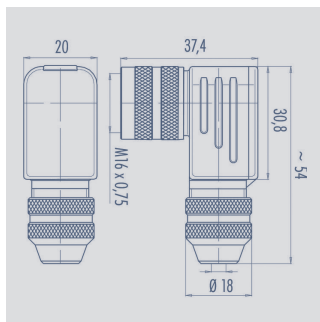


M16x0.75 Mating female connector, 8-pin, straight, with coupling nut, solder terminal, IP68, shielded

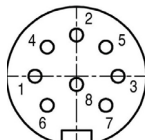
Connector housing	CuZn (Brass, nickel plated) -40 °C... +85 °C
-------------------	--

For wire gauge	4...8 mm, max. 0.75 mm ²
----------------	--

Type EEM 33-84, P/N 005627



Pin assignment



M16x0.75 Mating female connector, 8-pin, angled, with coupling nut, solder terminal, IP67, shielded

Connector housing	CuZn (Brass, nickel plated) -40 °C... +95 °C
-------------------	--

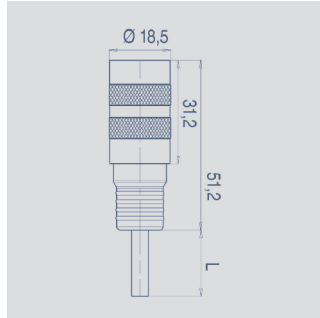
For wire gauge	6...8 mm, PG 9 max. 0.75 mm ²
----------------	---

Type EEM 33-85, P/N 005628

Novotechnik
Messwertaufnehmer OHG
Postfach 4220
73745 Ostfildern (Germany)
Horbstraße 12
73760 Ostfildern (Germany)
Telefon +49 711 4489-0
Telefax +49 711 4489-118
info@novotechnik.de
www.novotechnik.de

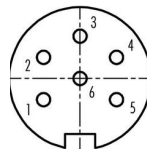


© 09/2014
Subject to change.
Printed in Germany.



Pin assignment

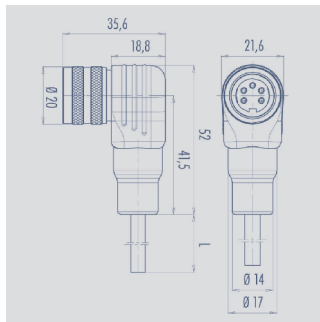
1 = white
2 = brown
3 = blue
4 = black
5 = grey
6 = green



M16x0.75 Mating female connector, 6-pin, straight, with molded cable, 2 m length, shielded, IP67, open ended

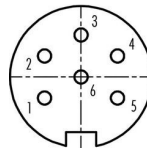
Connector housing	PUR
Cable sheath	PUR; Ø max. 6 mm, -5...+70 °C (moved) -20...+70 °C (fixed)
Wires	PVC, 6 x 0.25 mm ²
Type	EEM 33-26, P/N 056126

This coupling can be used in combination with 5-pin M16 connectors. Than „pin 6 / green“ is open.



Pin assignment

1 = white
2 = brown
3 = blue
4 = black
5 = grey
6 = green



M16x0.75 Mating female connector 6-pin, angled, with molded cable, 2 m length, shielded, IP67, open ended

Connector housing	PUR
Cable sheath	PUR; Ø max. 6 mm, -5...+70 °C (moved) -20...+70 °C (fixed)
Wires	PVC, 6 x 0.25 mm ²
Type	EEM 33-27, P/N 056127

This coupling can be used in combination with 5-pin M16 connectors. Than „pin 6 / green“ is open.

IP40

Protection class IP40 to DIN EN 60529

IP67

Protection class IP67 to DIN EN 60529



Very good Electromagnetic Compatibility (EMC) and shield systems



UL - approved

Note: The protection class is valid only in locked position with its plugs. The application of these products in harsh environments must be checked in particular cases.