

OMB 401



- **1 x 30 LED + auxiliary display**
- **DC/AC/PWR/OHM/RTD/TC/Frequency**
- **Mathematic functions, Digital filters**
- **Size of DIN 96 x 48 mm**
- **Power supply 230 VAC**

Options

Comparators • Excitation • Data output • Universal analogue output • Real time
Power supply 24 VAC, 110 VAC, 10...30 VDC

Description

The OMB 401 model is a three-color panel bargraph with 6-digit auxiliary display.

The instrument is based on an 8-bit controller with precise A/D converter, that secures high accuracy, stability and easy operation of the instrument.

By means of various input converters the bargraph allows to process electrical quantities, signals from Pt 100 sensors, thermocouples or potentiometers.

Standard functions

Programmable display projection

Setting	manual, type or range of input signal and display projection may be set or selected in „CM“
Projection	30 LED - three-color 6-digit auxiliary display

Digital filters

Floating average	from 2...30 measurements
Exponen. average	from 2...100 measurements
n-th value	from 2...100 measurements
Radius of insensitiv.	band of suppressed change of measured value

Mathematic functions

Min/max. value	registration of min./max. value reached during measurements
Tare	designed to reset display upon non-zero input signal
Top value	the display shows only max. (min.) value for a selected time period

External control

Hold	display/instrument blocking
Lock	control keys blocking
Tare	tare activation
Resetting MM	resetting min/max value to zero

Operation

The instrument is set and controlled by five control keys located on the front panel. All programmable settings of the instrument are realised in two adjusting modes.

Configuration menu (hereinafter referred to as CM) is protected by an optional number code and contains complete instrument setting

User menu may contain arbitrary programming settings defined in „CM“ with another selective restriction (see, change)

All programmable parameters are stored in the EEPROM memory (they hold even after the instrument is switched off). The measured units may be projected on the auxiliary display.

Options

Comparators are assigned to monitor one, two, three or four limit values with relay output. The user may select limits regime: LIMIT/DOSING/FROM-TO. The limits have adjustable hysteresis within the full range of the display as well as selectable delay of the switch-on in the range of 0...99,9 s. Reaching the preset limits is signalled by LED and simultaneously by the switch-on of the relevant relay.

Excitation is suitable for feeding of sensors and transmitters. It is isolated, with continuously adjustable value in the range of 2...24 VDC.

Data outputs are for their rate and accuracy suitable for transmission of the measured data for further projection or directly into the control systems. We offer an isolated RS232 and RS485 with the DIN MessBus/ASCII protocol.

Analogue outputs will find their place in applications where further evaluating or processing of measured data is required in external devices. We offer universal analogue output with the option of selection of the type of output - voltage/current. The value of analogue output corresponds with the displayed data and its type and range are selectable in CM.

Real time is an internal time control of data collection. It is suitable everywhere where it is necessary to register measured data in a given time segment. Up to 65 000 values may be stored in the instrument's memory. Data transmission into PC via serial interface RS232/485.

Technical data

MEASURING RANGE

DC-U	0...60/150/300 mV/0,3999/3,999/39,999/399,9 V	1 MOhm
DC-I	0...39,99/399,9 mA/1/5 A	< 260 mA
AC-U	0...0,3999/3,999/39,999/399,9 V	1 MOhm
AC-I	0...39,99/399,9 mA/1/5 A	< 260 mA
PM	0/4...20 mA/0...2/5/10 V	< 400 mV/1 MOhm
W	0...5 A/0...450 V	
OHM	0...0,399/3,999/39,99/100 kOhm	2, 3, 4 wire
RTD	Pt 100/Pt 1000/Ni 1 000/Ni 10 000	2, 3, 4 wire
T/C	J, K, T, E, B, S, R, N	
F	0...100 kHz	

It is necessary to determine the input and input range in the order.

PROJECTION

Display: 1x 30 LED - three-color and 6-digit auxiliary display with LED height 9 mm
 Brightness: adjustable

INSTRUMENT ACCURACY

Tempco: 60 ppm/°C
 Accuracy: ±0,1 % of range (according to type of input)
 Rate: 0,05 - 0,1 - 0,2 - 0,4 - 0,7 - 1,4 - 2,8 - 5,6 - 8,3 - 16,6 measurements/s
 Overload capacity: 10x (t < 30 ms), 2x (long-term)
 Watch-dog: reset after 1,2 s
 Input filters: floating (2-30) and exp. average, radius of insensitiveness, n-th value (2-255)
 Function: offset, min./max. value, Tare, top value, Hold, Lock (upon contact)
 Real time: 15 ppm/°C
 time-date-display value (max. 65000 data)
 Calibration: at 25°C and 40 % r.h.

COMPARATOR

Type: digital, adjustable in programming mode, contact switch-on < 30 ms
 Limit 1... 4
 Hysteresis: 0...99999
 Delay: 0...99,9 s
 Outputs: 4 relays with switching contact (250 VAC/50 VDC, 3 A)

DATA OUTPUTS

Data format: rate 600...38 400 Baud, 7 bit + even parity + 1 stop bit (DIN MessBus),
 8 bit + no parity + 1 stop bit (ASCII)
 RS 232: isolated
 RS 485: isolated, addressing (max. 31 instruments)

ANALOGUE OUTPUTS

Type: isolated, programmable with resolution max. 10 000 points, analogue output corresponds with the displayed data, output type and range are selectable in CM
 Non-linearity: 0,2 % of range
 Tempco: 100 ppm/°C
 Rate: response to change of value < 40 ms
 Voltage: 0...2 V/5 V/10 V
 Current: 0...5 mA/20 mA/4...20 mA (compensation of conduct up to 600 Ohm)

EXCITATION

Adjustable: 2...24 VDC/50 mA, isolated

POWER SUPPLY

24/110/230 VAC, 50/60 Hz, ±10 %, 7,5 VA
 10...30 VDC/max. 300 mA, (24 VDC/max. 250 mA), isolated
 - power supply is protected by a fuse inside the instruments

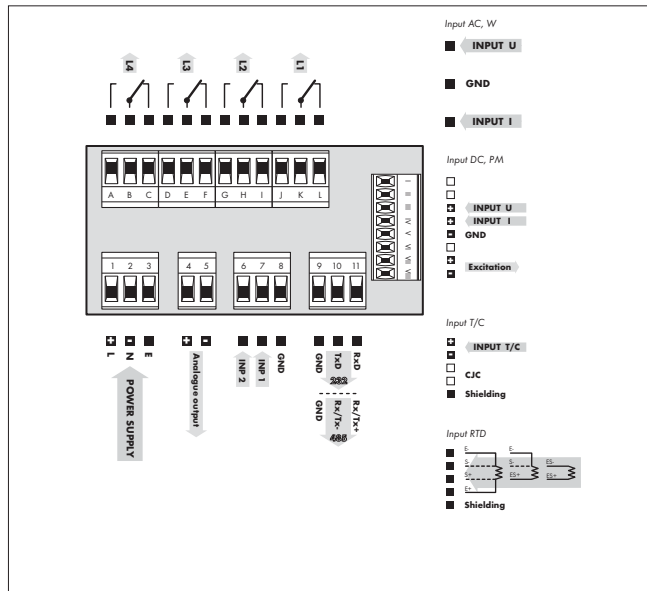
MECHANICAL PROPERTIES

Material: Noryl GFN2 SE1, incombustible UL 94 V-I
 Dimensions: 96 x 48 x 154 mm
 Panel cut: 90,5 x 45 mm

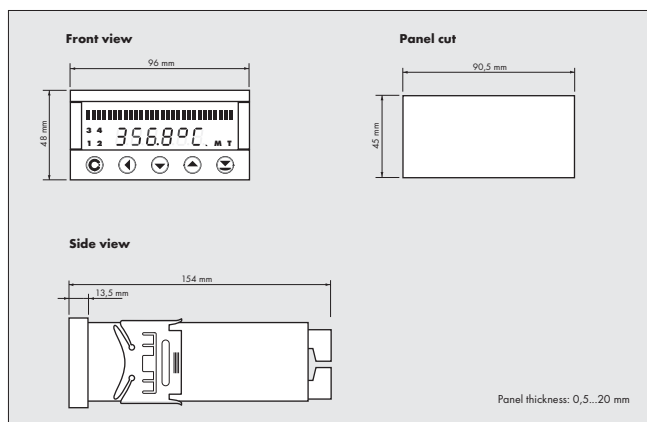
OPERATING CONDITIONS

Connection: connector terminal board, conductor section up to 1,5/2,5 mm²
 Stabilization period: within 15 minutes after switch-on
 Working temperature: 0°...60°C
 Storage temperature: -10°...85°C
 Covering: IP65 (front panel only)
 Construction: safety class II
 Electrical safety: EN 61010-1, A2
 Overvoltage category: for pollution degree II
 III. - instrument power supply, relay outputs (300 V)
 II. - input, output, excitation (300 V)
 EMC: EN 61000-3-2+A12; EN 61000-4-2, 3, 4, 5, 8, 11; EN 550222, A1, A2

Connection



Dimensions



Order code

