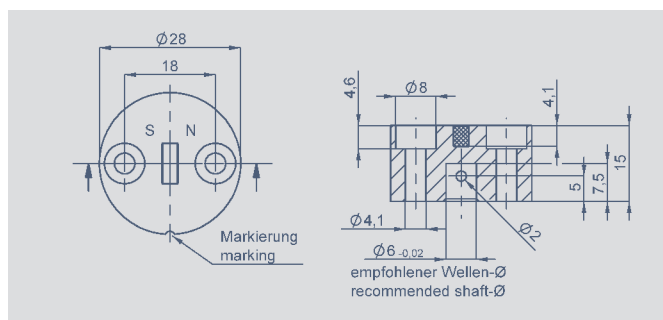


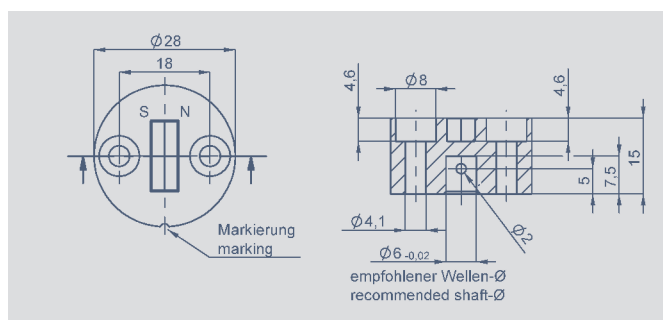
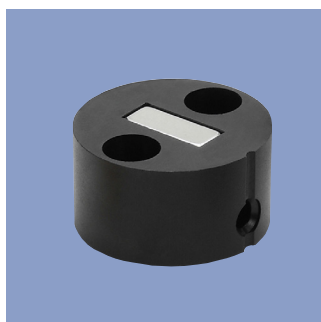
Position Markers for touchless Rotary Sensors



Z-RFC-P01

Position marker for frontal fixation with 2 cylinder head screws M4x20 (with microencapsulation) or with locking pin (included in delivery). Not recommended for new designs

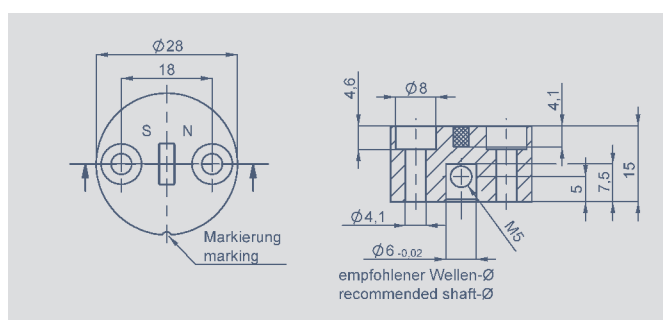
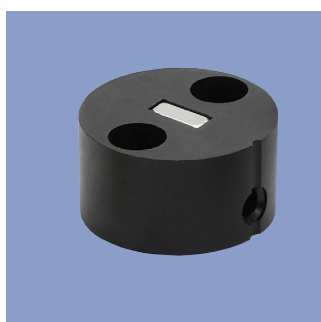
- magnet type 2
- max. permitted radial offset ± 1.5 mm
- packaging unit:
1 pc. P/N 005660
25 pcs. P/N 056079



Z-RFC-P02

Position marker for frontal fixation with 2 cylinder head screws M4x20 (with microencapsulation) or with locking pin (included in delivery)

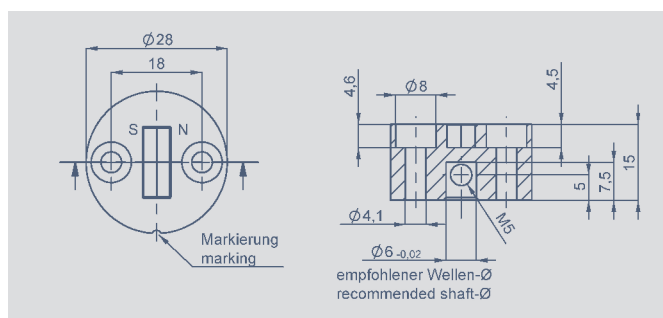
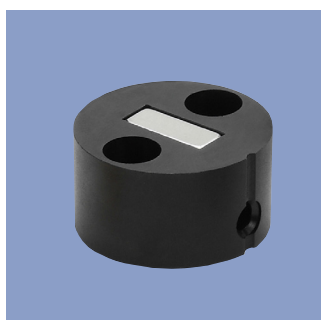
- magnet type 1
- max. permitted radial offset ± 3 mm
- packaging unit:
1 pc. P/N 005661
25 pcs. P/N 056080



Z-RFC-P07

Position marker for fixation with threaded pin M5 (included in delivery).

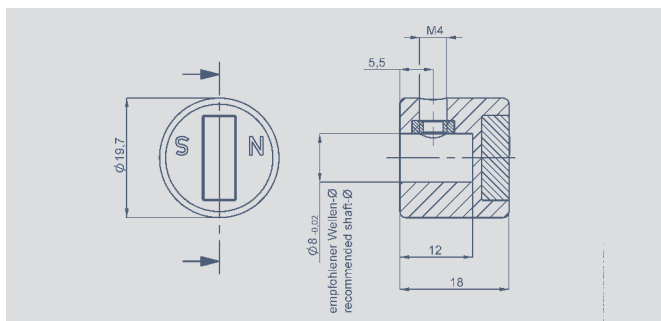
- Not recommended for new designs
- magnet type 2
 - max. permitted radial offset ± 1.5 mm
 - packaging unit:
1 pc. P/N 056069
25 pcs. P/N 056083



Z-RFC-P08

Position marker for fixation with threaded pin pin M5 (included in delivery)

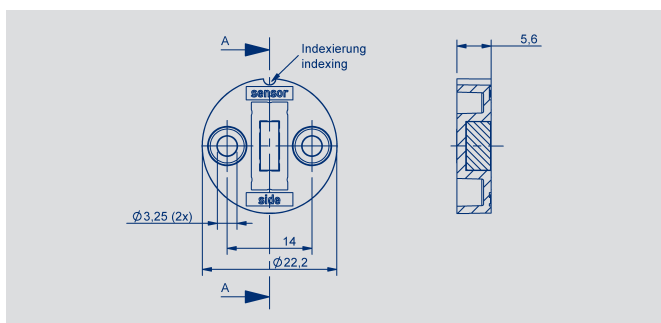
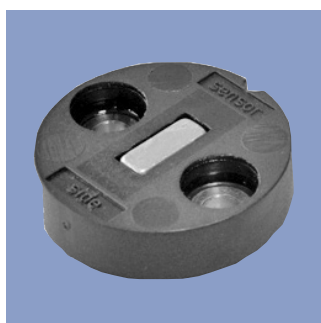
- magnet type 1
- max. permitted radial offset ± 3 mm
- packaging unit:
1 pc. P/N 056070
25 pcs. P/N 056084



Z-RFC-P23

Position marker for fixation with threaded pin M4 (included in delivery)

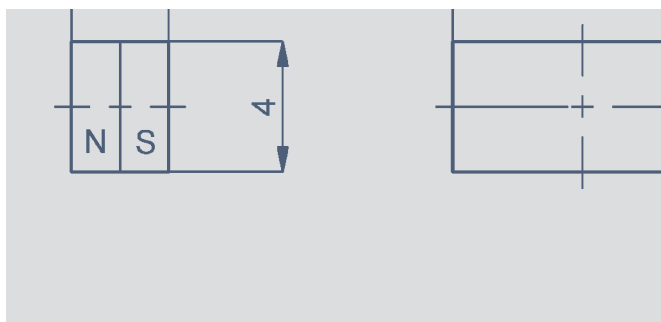
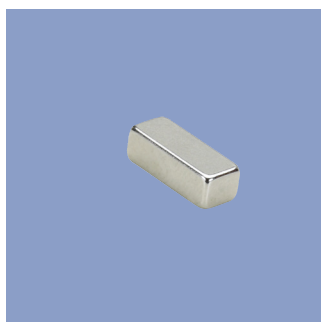
- magnet type 1
- max. permitted radial offset ±3 mm
- packaging unit:
1 pc. P/N 056074
25 pcs. P/N 056085



Z-RFC-P30

Position marker for frontal fixation with 2 fillister screws M3x8 (included in delivery) screws

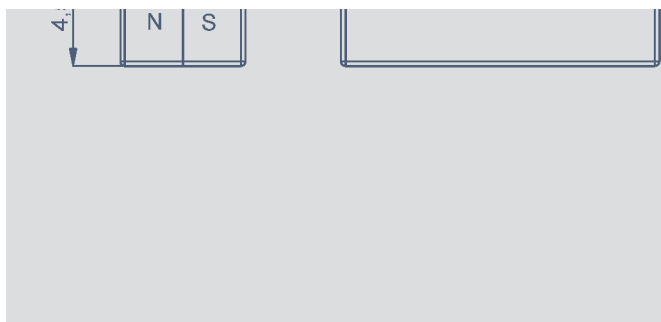
- magnet type 2
- max. permitted radial offset ±1.5 mm
- packaging unit:
1 pc. P/N 056086
25 pcs. P/N 056087



Z-RFC-P03

Magnet for direct application onto customer's shaft

- magnet type 2
- max. permitted radial offset ±1,5 mm
- packaging unit:
1 pc. P/N 005658
50 pcs. P/N 056081



Z-RFC-P04

Magnet for direct application onto customer's shaft

- magnet type 1
- max. permitted radial offset ±3 mm
- packaging unit:
1 pc. P/N 005659
50 pcs. P/N 056082



Working distances (in mm)

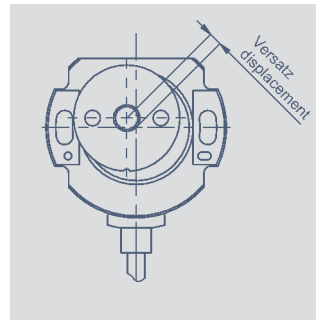
Sensor series	Z-RFC-...							
	P01	P02	P03	P04	P07	P08	P23	P30
Analog (voltage / current), SPI	0 ... 1.5	0 ... 4	0 ... 1.5	0 ... 4	0 ... 1.5	0 ... 4	0 ... 4	0 ... 1.5
SSI / incremental	-	0 ... 1.4	-	0 ... 1.4	-	0 ... 1.4	0 ... 1.4	-
CANopen single	-	2.3 ... 5	-	2.3 ... 5	-	2.3 ... 5	2.3 ... 5	-
CANopen redundant	-	1.9 ... 4.5	-	1.9 ... 4.5	-	1.9 ... 4.5	1.9 ... 4.5	-

Lateral magnet offset (will cause additional linearity error):

The angle error, which is caused by radial displacement of sensor and position marker depends on the used position marker or magnet type.

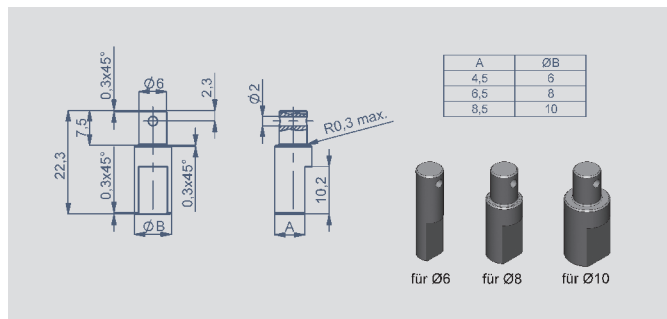
Additional error (°) at radial displacement

	Magnet Type 1			Magnet Type 2		
	0.5 mm	1 mm	2 mm	0.5 mm	1 mm	2 mm
Analog single	0.4	1.1	3.5	1.4	3.7	-
SPI	0.4	1.1	3.5	1.4	3.7	-
CANopen single	0.4	1.1	3.5	-	-	-
Analog redundant	0.7	1.8	5.2	2.5	6.4	-
CANopen redundant	0.7	1.8	5.2	-	-	-
SSI, incremental	0.4	0.7	2.2	-	-	-



Mounting instructions Z-RFC-P03 / Z-RFC-P04

- In general, we recommend mounting on not magnetizable materials, otherwise the stated working distances can change
- If the shaft is magnetizable please keep sufficient distance
- When the magnet is mounted in the shaft, the shaft may not be magnetizable
- If the magnet is axially fixed on a magnetizable shaft the working distances reduces by approximately 20 %



Z-RFC-S01 / Z-RFC-S02 / Z-RFC-S03

Shaft adapter for Z-RFC-P01 and Z-RFC-P02.
 Fixation at position marker with locking pin

- Z-RFC-S01: Ø 6 mm, P/N 056206
- Z-RFC-S02: Ø 8 mm, P/N 056207
- Z-RFC-S03: Ø 10 mm, P/N 056208