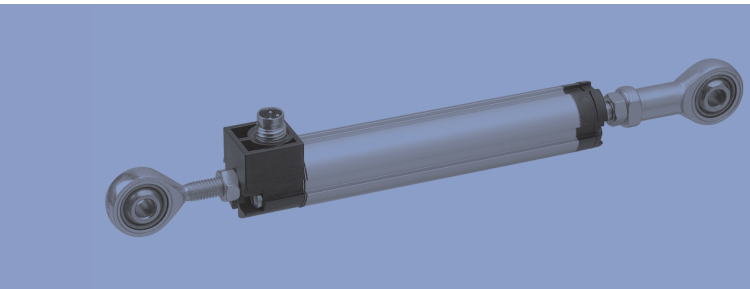


**Position Transducers  
potentiometric,  
up to 300 mm, IP66**

Series TEX



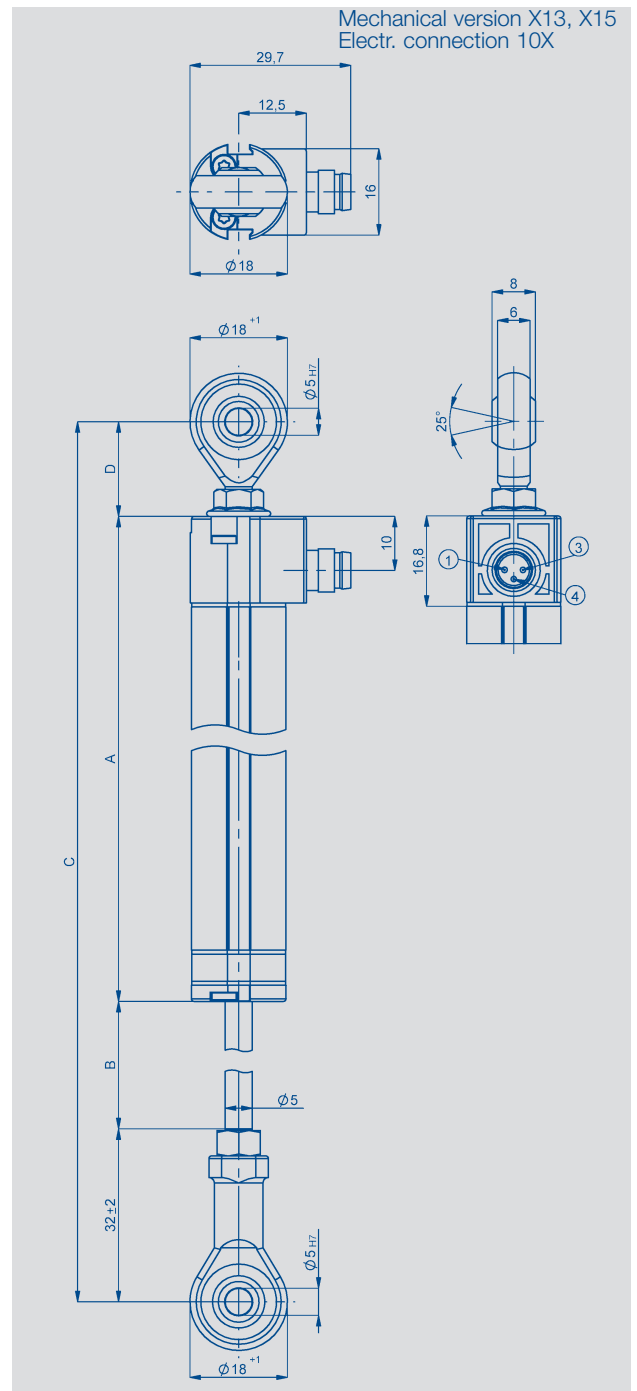
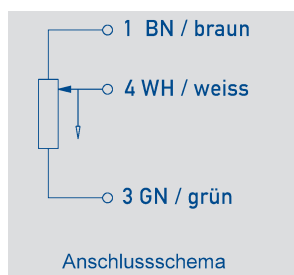
**Special features**

- compact dimensions
- protection class up to IP66
- pivot heads with large angle of free movement
- very high life time up to 20 mio. movements (depending on application)
- resolution better than 0.01 mm
- outstanding linearity
- variable customer interface
- applications under adverse ambient conditions possible (humidity, oil, dust)

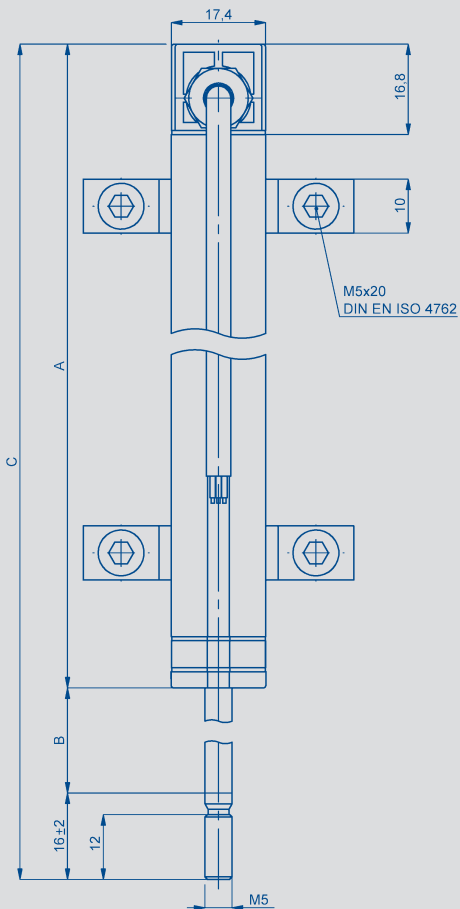
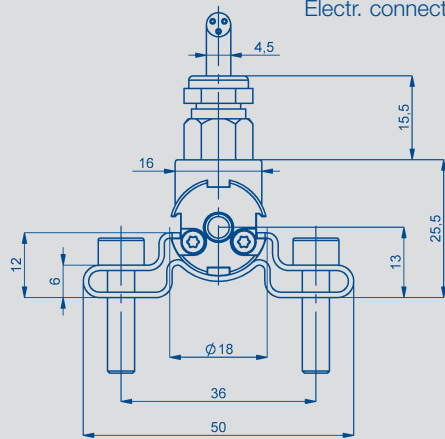
Highest protection through Novotechnik's patented differential pressure compensation technology, combined with smallest dimensions identify this cost effective linear transducer.

This sensor suits well for mobile applications due to it's easy-to-fix moveable pivot heads.

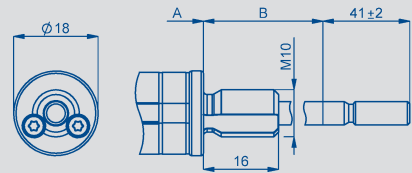
Multiple mounting possibilities, as fixing clamps for precise measurement applications or center bushing or bolt-through flange plates (customer specific designs available on request allow for an optimal adaption to the relative measurement environment. Optional cable or connector outlets also contribute to the customer flexibility.



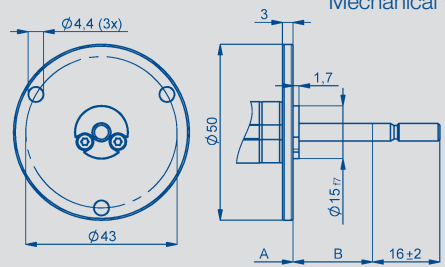
Mechanical version X11  
Electr. connection 20X



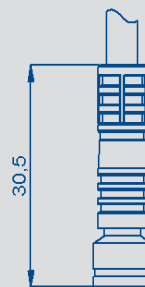
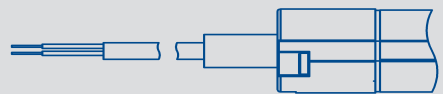
Mechanical version X12



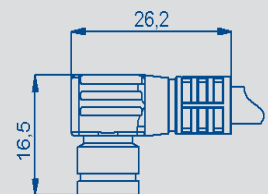
Mechanical version X14



Electr. connection 30X



EEM 33-64



EEM 33-65

Typ designations	TEX 0010	TEX 0025	TEX 0050	TEX 0075	TEX 0100	TEX 0125	TEX 0150	TEX 0175	TEX 0200	TEX 0250	TEX 0300	
<b>Electrical Data</b>												
Defined electrical range	10	25	50	75	100	125	150	175	200	250	300	mm
Nominal resistance	1	1	2	3	4	5	6	7	8	10	12	kΩ
Resistance toleranz	20 (linearized; electr. version 002) 30 (unlinearized; electr. version 001)											±% ±%
Independent linearity	0,25	0,2	0,1	0,1	0,1	0,05	0,05	0,05	0,05	0,05	0,05	±%
Repeatability	≤ 0,01											mm
Recommended operating wiper current	≤ 1											μA
Max. wiper current in case of multifunction	10											mA
Max. permissible applied voltage	42											V
Temperature coefficient of the output-to-applied voltage ration	typical 5											ppm/K
Insulation resistance (500 VDC, 1 bar, 2 s)	≥10											MΩ
Dielectric strength (50 Hz, 2 s, 1 bar, 500 VAC)	≤100											μA
<b>Mechanical Data</b>												
Body length (dimension A)	63	78	103	128	153	194	219	244	269	314	369	±2 mm
Mechanical stroke (dimension B)	14	29	54	79	104	132	157	182	207	257	307	mm
Minimum distance between pivot heads (dim. C), version X15 (dim. D = 17,5 mm)	114	129	154	179	204	245	270	295	320	370	420	±2 mm
Minimum distance between pivot heads (dim.C), version X13 (dim. D = 24,5 mm)	121	136	161	186	211	252	277	302	327	377	427	±2 mm
<b>Environmental Data</b>												
Operating speed	5											m/s max.
Temperature range	-40 ...+85 (-40...+100 on request)											°C
Vibration	5...2000 A <sub>max</sub> = 0.75 a <sub>max</sub> = 20											Hz mm g
Shock	50 6											g ms
Life	100 x 10 <sup>6</sup> typ. (IP40, IP54) 50 x 10 <sup>6</sup> typ. (IP65, IP66)											movem. movem.
Protection class	up to IP 66 DIN 40500 / IEC											

## Ordering specifications

										<b>Electr. version</b> 001 Alternative: Independent linearity $\pm 2.0\%$ 002 Standard: Independent linearity $\pm 0.05\%$ up to $\pm 0.25\%$					
										<b>Electr. connection</b> 101 Optional: 3-pin round connector M18x1 radial output 201 Standard: NT-standard cable 1 m radial output 203 Optional: NT-standard cable 3 m radial output 205 Optional: NT-standard cable 5 m radial output 301 Alternative: NT-standard cable 1 m axial output 303 Optional: NT-standard cable 3 m axial output 305 Optional: NT-standard cable 5 m axial output					
T	E	X	0	1	5	0	3	1	1	0	0	2	2	0	1
Series								<b>Mechanical mounting</b> 1 Standard: "snap-on" clamps 2 Optional: Centric mounting M 16x1.5 3 Optional: Pivot heads 4 Optional: Flange mounting 5 Optional: Pivot heads (short version)							
								<b>Mechanical version actuating rod X1X</b> 1 Standard: Transducer with one-side-rod, M5							
								<b>Mechanical linkage</b> 1 Optional: one-side actuating rod, IP66 3 Standard: one-side actuating rod, IP40 4 Optional: one-side actuating rod, IP54 5 Optional: one-side actuating rod, IP65							
								<b>Electrical defined range</b> Standard: 0010 up to 0300; in mm steps; divers standard lengths							

## Connector pin assignment

The pin assignments are depending on the relative versions.

## Recommended accessories

Connector M8x1, 2 m cable, EEM 33-64, IP67, Art.No. 005617;  
 Angle connector M8x1, 2 m cable, EEM 33-65, IP67, Art.No. 005618;  
 Connector with longer cable on request