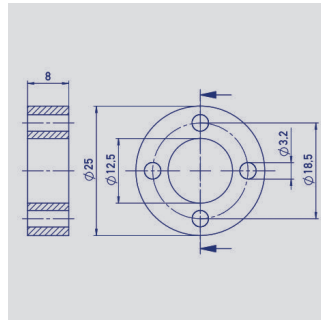
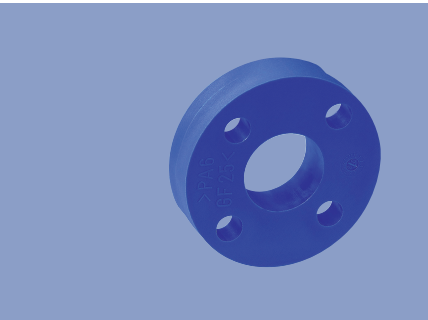
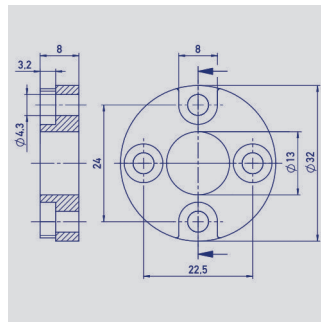
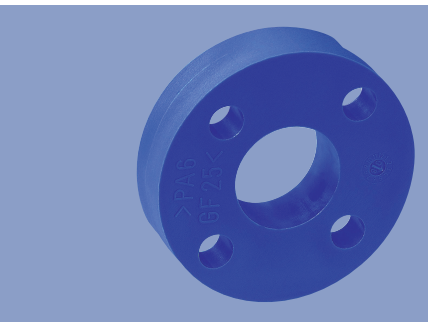


**Position Marker
for non-contacting
Transducers
Rod Style**



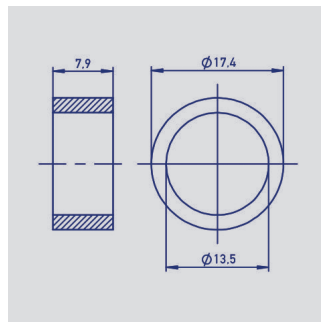
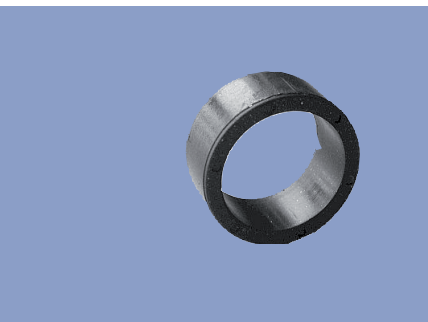
**Ring Position Marker Z-TH1-P18
P/N 005697
Series TH1 / TIM**

Material	PA6-GF25
Weight approx.	12 g
Operating temperature	-40 ... +100° C
Surface pressure max.	40 N/mm ²
Fastening torque of mounting screws, max.	1 Nm



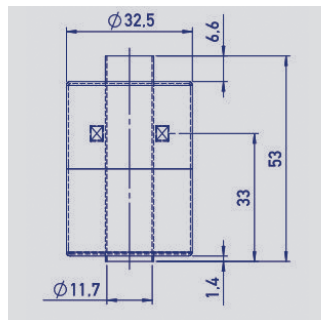
**Ring Position Marker Z-TH1-P19
P/N 005698
Series TH1 / TIM**

Material	PA6-GF25
Weight approx.	14 g
Operating temperature	-40 ... +100°C
Surface pressure max.	40 N/mm ²
Fastening torque of mounting screws, max.	1 Nm



**Ring Position Marker Z-TIM-P20
P/N 005699
Series TH1 / TIM**

Material	PA-Neonbond Compound
Weight approx.	5 g
Operating temperature	-40 ... +100°C
Surface pressure max.	10 N/mm ²
Mounting via lock washer and lock ring	



**Cylinder - Float Position Marker Z-TH1-P21
P/N 056044
Series TH1 / TIM**

Material	1.4404
Surface	stained
Weight approx.	22 g
Operating temperature	-40 ... +100°C
Compression strength, min.	24 bar
Immersion depth in water	approx. 35 mm

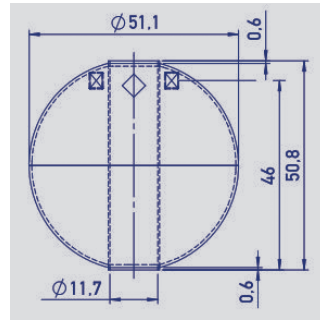
Novotechnik
Messwertaufnehmer OHG

Postfach 4220
73745 Ostfildern (Ruit)
Horbstraße 12
73760 Ostfildern (Ruit)

Telefon +49 711 4489-0
Telefax +49 711 4489-118
info@novotechnik.de
www.novotechnik.de



© 06/2014
Subject to change.
Printed in Germany.



Bowl - Float Position Marker Z-TH1-P22

P/N 056045

Series TH1 / TIM

Material	1.4404
Surface	stained
Weight approx.	32 g
Operating temperature	-40 ... +100°C
Compression strength, min.	40 bar
Immersion depth in water	approx. 25 mm in 0.7 g/cm ³ approx. 40 mm