



OMB 451UNI



- Bargraf - 50 LED with display and LCD scale
- Multifunction input (DC, PM, RTD, T/C, DU)
- Digital filters, Tare, Linearization
- Size of DIN 160 x 60 mm
- Power supply 10...30 V AC/DC; 80...250 V AC/DC

Option

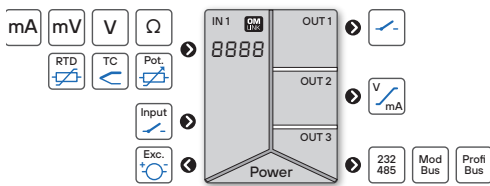
Comparators ● Data output ● Analog output ● Measured data record

The OMB 451 model series are panel programmable three-color bargraphs with auxiliary display and adjustable LCD scale.

Type OMB 451UNI is a multifunction instrument with the option of configuration for 8 various input options, easily configurable in the instrument menu.

The instrument is based on a microcontroller and multichannel 24-bit $\Delta\Sigma$ ADC, which secures high accuracy, stability and easy operation of the instrument.

UNIVERSAL BARGRAPH



OPERATION

The instrument is set and controlled by two control keys and a turn knob located on the front panel. All programmable settings of the instrument may be performed in three adjusting modes:

LIGHT MENU is protected by optional number code and contains solely items necessary for instrument setting.

PROFI MENU is protected by optional number code and contains complete instrument setting.

USER MENU may contain arbitrary items from the programming menu (LIGHT/PROFI), which determine the right (see, change). Access w/o password.

Standard equipment is the OM Link interface, which together with operation program enables modification and filing of all instrument settings as well as performing firmware updates (with OML cable). The program is also designed for visualization and filing of measured values from more instruments.

OPTION

COMPARATORS are assigned to monitor four or eight limit values with relay output. For each input the user may select an arbitrary number of relays with the regime: LIMIT/BATCH/FROM-TO. The limits have adjustable hysteresis within full range of the display and selectable delay of the switch-on within the range of 0...99 s. Reaching the preset limits is signalled by LED and simultaneously by the switch-on of the relevant relay.

DATA OUTPUTS are for their rate and accuracy suitable for transmission of the measured data for further projection or directly into the control systems. We offer an isolated RS232 and RS485 with the ASCII/MESSBUS/Modbus/PROFIBUS protocol.

ANALOG OUTPUTS will find their place in applications where further evaluating or processing of measured data is required in external devices. We offer universal analog output with the option of selection of the type of output - voltage/current and the option of assigning it to arbitrary input. The value of analog output corresp. with the displayed data and its type and range are selectable in menu.

MEASURED DATA RECORD is an internal time control of data collection. It is suitable where it is necessary to register measured values. Two modes may be used. FAST is designed for fast storage (40 records/s) of all measured values up to 8 000 records. Second mode is RTC, where data record is governed by Real Time with data storage in a selected time segment and cycle. Up to 266 000 values may be stored in the instrument memory. Data transmission into PC via serial interface RS 232/485 and OM Link.

STANDARD FUNCTIONS

PROGRAMMABLE PROJECTION

Selection: of input type and measuring range

Measuring range: adjustable, either fixed or with automatic change (OHM)

Setting: manual, optional projection on the display may be set in menu for both limit values of the input signal, e.g. input 0...10 V > 0...850.0

Projection: 50 LED + 6-digit auxiliary display

Scale: LCD, freely programmable

EXCITATION

Range: 5...24 VDC/1.2 W, for feeding sensors and transmitters

COMPENSATION

Wiring (RTD, OHM): automatic (3- or 4-wire) or manual in menu (2-wire)

Probes (RTD): internal wiring (resistance of conductors in the measuring head)

CJC (T/C): manual or automatic (terminal temperature)

FUNCTIONS

Linearization: non-linear signal is converted by a 50-point linear interpolation

Tare: designed to reset display upon non-zero input signal

Min./max. value: registration of min./max. value reached during measurement

Peak value: the display shows only max. or min. value

Mathemat. operations: polynom, 1/x, logarithm, exponential, power, root, sin x, and operations between inputs - sum, difference

DIGITAL FILTERS

Floating average: from 2...30 measurements

Exponential average: from 2...100 measurements

Arithmetic average: from 2...100 measurements

Rounding: setting the projection step for display

EXTERNAL CONTROL

Lock: control keys blocking

Hold: display/instrument blocking

Tare: tare activation

Resetting Min/Max: resetting min/max value

TECHNICAL DATA

INPUT

No. of inputs	1 The range is adjustable in the instrument menu		
DC Range	±60 mV ±150 mV ±300 mV ±1 200 mV	< 100 MΩ > 100 MΩ > 100 MΩ > 100 MΩ	Input U Input U Input U Input U
PM Range	0...20 mA 4...20 mA ±2 V ±5 V ±10 V ±40 V	< 400 mV < 400 mV 1 MΩ 1 MΩ 1 MΩ 1 MΩ	Input I Input I Input U Input U Input U Input U
OHM Range	0...100 Ω 0...1/10/100 kΩ		
Connection	2, 3- and 4-wire		
RTD Range	Pt 100/500/1 000, 3 850 ppm/°C Pt 100, 3 920 ppm/°C Pt 50, 3 910 ppm/°C Pt 100, 3 910 ppm/°C	-50°...450°C -50°...450°C -200°...1100°C -200°...450°C	
Connection	2, 3- and 4-wire		
NI Range	NI 1 000/10 000, 5 000 ppm/°C NI 1 000/10 000, 6 180 ppm/°C	-50°...250°C -200°...250°C	
Connection	2, 3- and 4-wire		
Cu Range	Cu 50/100, 4 260 ppm/°C Cu 50/100, 4 280 ppm/°C	-50°...200°C -200°...200°C	
Connection	2, 3- and 4-wire		
T/C Range	J (Fe-Cu/Ni) K (NiCr-Ni) T (Cu-Cu/Ni) E (NiCr-Cu/Ni) B (PtRh30-PtRh6) S (PtRh10-Pt) R (Pt13Rh-Pt) N (Omegalloy) L (Fe-Cu/Ni)	-200°...900°C -200°...1 300°C -200°...400°C -200°...690°C 300°...1 820°C -50°...1 760°C -50°...1 740°C -200°...1 300°C -200°...900°C	
CJC	adjustable -20°...99°C or automatical		
DU	Sensor power supply 2 VDC/6 mA, potentiometer resistance > 500 Ω		

OPTION „A“

No. of inputs	1 The range is adjustable in the instrument menu		
DC Range	±0.1 A ±0.25 A ±0.5 A ±1 A ±5 A ±10 V ±250 V ±500 V	< 300 mV < 300 mV < 300 mV < 30 mV < 150 mV 20 MΩ 20 MΩ 20 MΩ	Input I Input I Input I Input I Input I Input U Input U Input U

OPTION „B“

No. of inputs	3 The range is adjustable in the instrument menu		
3x PM Range	0...20 mA 4...20 mA ±2 V ±5 V ±10 V ±40 V	< 400 mV < 400 mV 1 MΩ 1 MΩ 1 MΩ 1 MΩ	Input 2, 3, 4 - I Input 2, 3, 4 - I Input 2, 3, 4 - U Input 2, 3, 4 - U Input 2, 3, 4 - U Input 2, 3, 4 - U

EXTERNAL INPUT

No. of inputs	3, on contact		
Function	OFF LOCK HOLD PASS TARE CL. TA. CL. M.M. SAVE CL. ME CHAN. A. FIL. A. MAT. FN. SWIT.	no function assigned control keys blocking measurement paused menu access blocking tare activation tare resetting resetting min/max value data recording start (FAST/RTC) data recording reset (FAST/RTC) value display „Channel A“ value display „Channel A“ + filter value display „Math. functions“ sequential or BCD channel switching	

PROJECTION

Bargraph display	50 + 50 LED, upper row displays the input value, the lower indicates the set limits
Bar color	red / green / orange
Scale	LCD backlight and freely programmable
Display	-99999...999999, single color 7-segment LED
Digit height	9.1 mm
Display color	red or green
Description	last two characters on the display may be used for description of measured quantities
Decimal point	adjustable - in menu
Brightness	adjustable - in menu

INSTRUMENT SPECIFICATION

TC	50 ppm/°C	
Accuracy	±0.1% of FS + 1 digit ±0.15% of FS + 1 digit above accur. apply for projection 9999 and 5 meas./s	RTD / T/C
Rate	0.1...40 measurement/s	
Overload	10x (t < 30 ms), 2x not valid for 250 / 450 V and 5 A ranges	
Compensation of conduct	< 30 Ω	RTD
Measurement accuracy CJC	±1.5°C	T/C
Resolution	0.1°C / 1°C	RTD / T/C
Functions	offset, Min/max value, Tare, peak value, math. functions	
Digital filters	exponential / floating / arithmetic average, rounding	
Math functions	polynomial / inverse polynomial / logarithm / exponential / power / root	
Linearization	linear interpolation in 50 points setup only via OM Link	
Data record	RTC 15 ppm/°C, time-date-display value < 266k data FAST display value < 8k data	
OM Link	company communication interface for operation, setting and update of instruments	
Watch-dog	reset after 400 ms	
Calibration	at 25°C and 40 % rh.	

RELAYS / OC OUTPUT

No. of outputs	up to 4	
Type	digital, menu adjustable	
Mode	HYSTER. WINDOW BATCH	active above set value active in the set window / band active in set period
Function Relays/OC	CLOSE OPEN	is closed in active mode is open in active mode
Limits	-99999...999999	
Hysteresis	0...999999	
Delay	0...99.9 s	
Outputs	1...4x relay with switch-on contact (Form A) (250 VAC/30 VDC, 3 A)* 2...4x open collector (30 VDC/100 mA)	
Relays	1/8 HP 277 VAC, 1/10 HP 125 V, Pilot Duty D300	

* values apply for resistance load

ANALOG OUTPUTS

No. of outputs	1	
Type	isolated, adjustable with 16-bit DAC, output type and range is selectable	
TC	15 ppm/°C	
Non-linearity	0.1 % from FS	
Accuracy	±0.02 % of FS	
Rate	response to change of value < 1 ms	
Ranges	0...2 / 5 / 10 V, ±10 V, resistive load ≥ 1 kΩ 0...5 / 20 mA / 4...20 mA, compensation < 600 Ω/12 V or 1000 Ω/24 V Indication of error message (output < 3.2 mA)	

DATA OUTPUTS

No. of outputs	1	
Protocol	ASCII, MESSBUS, Modbus RTU, PROFIBUS DP	
Data format	8 bit + no parity + 1 stop bit (ASCII) 7 bit + even parity + 1 stop bit (Messbus)	
Rate	300...230 400 Baud 9 600 Baud...12 Mbaud (PROFIBUS)	
RS 232	isolated	
RS 485	isolated, addressing (max. 31 instruments)	

EXCITATION

Adjustable	5...24 VDC, < 12 W, isolated
------------	------------------------------

POWER SUPPLY

Range	10...30 V AC/DC, ±10 %, PF ≥ 0.4, I _{typ} < 40 A / 1 ms, isolated 80...250 V AC/DC, ±10 %, PF ≥ 0.4, I _{typ} < 40 A / 1 ms, isolated <i>Protection by fuse inside the device</i>
Consumption	< 15.5 W / 15.5 VA

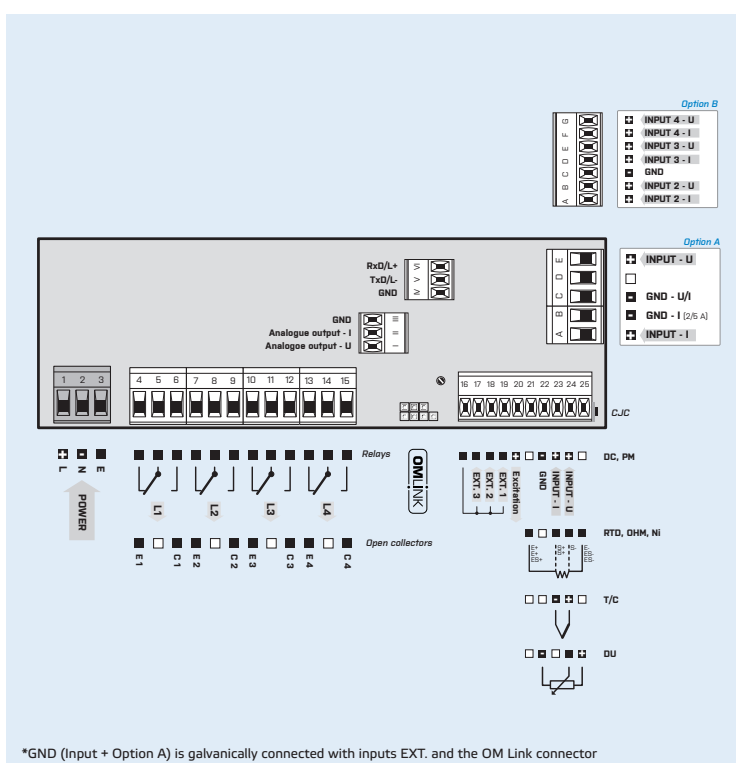
MECHANIC PROPERTIES

Material	Noryl GFN2 SE1, incombustible UL 94 V-0, black
Dimensions	160 x 60 x 80 mm (w x h x d)
Panel cutout	150 x 50 mm (w x h)

OPERATING CONDITIONS

Connection	connector terminal blocks, section < 1.5 / 2.5 mm ²
Stabilization period	within 5 minutes after switch-on
Working temperat.	-20°...60°C
Storage temperat.	-20°...85°C
Working humidity	< 95 % r.v., non condensing
Protection	IP64, front panel only
Construction	safety class I
El. safety	EN 61010-1, A2
Dielectric strength	4 kVAC per 1 min test between supply and input 4 kVAC per 1 min test between supply and data/ analog output 4 kVAC per 1 min test between input and relay output. 2.5 kVAC per 1 min test between input and data/ analog output
Insulation resist.*	for pollution degree II, measuring cat. III power supply, input > 670 V (PI), 300 (DI) input, output, excitation > 300 V (PI), 150 V (DI)
EMC	EN 61326-1, Industrial area
Seismic capacity	IEC 980: 1993, par. 6
SW validation	Class B, C in compl. with IEC 62138, 61226 <small>* PI - Primary insulation, DI - Double insulation</small>

CONNECTION



*GND (Input + Option A) is galvanically connected with inputs EXT. and the OM Link connector
*In case of Option B we recommend to connect terminals GND (main board/addit. board) by ext. connection

ORDER CODE

OMB 451UNI

Power supply	10...30 V AC/DC 80...250 V AC/DC	
Measuring range	standard option „A“ option „B“	
Comparators	no 1x relay (Form C) 2x relays (Form C) 3x relays (Form C) 4x relays (Form C) 2x open collector 4x open collector	
Analog output	no yes (compensation < 600 Ω/12 V) yes (compensation < 1000 Ω/24 V)	0 1 2
Data output	no RS 232 RS 485 Modbus* PROFIBUS	0 1 2 3 4
Excitation	yes	1
Data record	no RTC FAST	0 1 2
Display color	red (14 mm) green (14 mm)	1 2
Specification	customized version, do not fill in SW validation - IEC 62138, IEC 61226	00 VS

Basic configuration of the instrument is indicated in bold.

* Unavailable in combination with RTC/FAST