

# OM 502



<b>OM 502DC</b>	<b>DC VOLTMETER AND AMMETER</b>
<b>OM 502PM</b>	<b>PROCESS MONITOR</b>
<b>OM 502I</b>	<b>INTEGRATOR</b>
<b>OM 502LX</b>	<b>LINEARIZER</b>
<b>OM 502DU</b>	<b>DISPLAY UNIT FOR LINEAR POTENTIOMETERS</b>
<b>OM 502T</b>	<b>WEIGHING INDICATOR</b>

## Description

The OM 502 model series are 5 digit panel programmable instruments. The instrument is based on an 8-bit microcontroller with high-speed 24-bit sigma-delta converter, which secures high accuracy, stability and easy operation of the instrument.

## Operation

The instrument is set and controlled by five control keys located on the front panel. All programmable settings of the instrument may be performed in three adjusting modes :

**Light menu** is protected by optional number code and contains solely items necessary for instrument setting

**Profi menu** is protected by optional number code and contains complete instrument setting

**User menu** may contain arbitrary items from the programming menu (LIGHT/PROFI), which determine the right (see, change). Access w/o password.

Standard equipment is the OM Link interface, which together with operation program enables modification and filing of all instrument settings as well as perform firmware updates (with OML cable). The program is also designed for visualization and filing of measured values from more instruments .

All settings are stored in the EEPROM memory (they hold even after the instrument is switched off).

The measured units may be projected on the display.

## Options

**Comparators** are assigned to monitor one, two, three or four limit values with relay output. The user may select limits regime: LIMIT/DOSING/FROM-TO. The limits have adjustable hysteresis within the full range of the display as well as selectable delay of the switch-on in the range of 0...99,9 s. Reaching the preset limits is signalled by LED and simultaneously by the switch-on of the relevant relay.

**Excitation** is suitable for feeding of sensors and transmitters. It is isolated, with continuously adjustable value in the range of 5...24 VDC.

- 5-digit programmable projection
- Math functions, Digital filter, Tare
- Size of DIN 96 x 48 mm
- Power supply 80...250 V AC/DC

OMLINK

## Options

- Excitation • Comparators • Data output • Analog output • Data record
- Power supply: 10...30 V AC/DC

**Data outputs** are for their rate and accuracy suitable for transmission of the measured data for further projection or directly into the control systems. We offer an isolated RS232 and RS485 with the ASCII/MESSBUS/MODBUS/PROFIBUS protocol.

**Analog outputs** will find their place in applications where further evaluating or processing of measured data is required in external devices. We offer universal analog output with the option of selection of the type of output - voltage/current. The value of analog output corresponds with the displayed data and its type and range are selectable in menu.

**Measured data record** is an internal time control of data collection. It is suitable where it is necessary to register measured values. Two modes may be used. FAST is designed for fast storage (80 records/s) of all measured values up to 8 000 records. Second mode is RTC, where data record is governed by Real Time with data storage in a selected time segment and cycle. Up to 131 000 values may be stored in the instrument memory. Data transmis into PC via serial interface RS232/485 and OM Link.

## Standard functions

### PROGRAMMABLE PROJECTION

**Setting:** manual, in menu optional projection on the display may be set for both limit values of the input signal, e.g. input 0...300,0 V  $\Rightarrow$  0...450,0

**Projection:** -99999...999999

**Weighing function (T):** manual or automatic calibration, signalization of stabilized equilibrium, zero stabilization, automatic zero monitoring, defined number of segments on the scale

**Projection (T):**  $\pm 3000/\pm 6000/\pm 12000$  segments per 1/2/5/10, -9999...99999 (for 1 measurement/s)

### LINEARIZATION

**Linearization (DC, PM, DU):** by linear interpolation in 50 points (solely via OM Link)

**Linearization (LX):** by linear interpolation in 256 points and 16 tables

### DIGITAL FILTERS

**Exponen. average:** from 2...100 measurements

**Rounding:** setting the projection step for display

### MATHEMATIC FUNCTIONS

**Min/max. value:** registration of min/max. value reached during measurement

**Tare:** designed to reset display upon non-zero input signal

**Fixed tare (T):** firmly preset tare

**Peak value:** the display shows only max. or min. value

**Mat. operations:** polynome, 1/x, logarithm, exponential, power, root, sin x

### EXTERNAL CONTROL

**Lock** control keys blocking

**Hold** display/instrument blocking

**Tare** tare activation

**Resetting MM** resetting min/max value

Technical data

PROJECTION

**Display:** -9999...99999, red or green 14-segment LED, digit height 14 mm  
**Description:** last two characters on the display may be used to describe measured quantities (adjustable in menu)  
**Decimal point:** setting - in programming mode  
**Brightness:** setting - in programming mode

INSTRUMENT ACCURACY

**TC:** 100 ppm/°C  
**Accuracy:** ±0,02 % of range + 1 digit  
 ±0,05 % of range + 1 digit **DU, T**  
 Accuracy applies for projection 99999 and rate of 10 meas/s  
**Rate:** 0,1...100 meas./s; 0,1...8 meas./s (I)  
**Overload capacity:** 10x (t < 30 ms) - not for > 300 V, 5 A; 2x  
**Time base (I):** 1 s (for integraci)  
**Linearization (DC, PM, DU):** by linear interpolation in 50 points  
**Linearization (LX):** by linear interpolation in 256 points/16 tab.  
**Input filters:** exp./ floating/ arithmetic average, Rounding  
**Functions:** Offset, Min/max value, Tare, Peak value, Mat. operations  
**Ext. control:** HOLD, LOCK, Reset Min/Max, Tare  
**Data record:** measured data record into instrument memory  
**RTC** - 15 ppm/°C, time-date-display value, < 131k data  
**FAST** - display value, < 8k data  
**Watch-dog:** reset after 0,4 s  
**OM Link:** Company communication interface for operation, setting and update of instruments  
**Calibration:** at 25 °C and 40 % r.h.

COMPARATOR

**Type:** digital, setting in prog. mode, contact switch < 10 ms  
**Limit 1...4:** -99999...99999  
**Hysteresis:** 0...9999  
**Delay:** 0...99,9 s  
**Output:** 2x relay Form A (250 VAC/30 VDC, 3 A) and 2x Form C relay (250 VAC/50 VDC, 3 A), 2x/4x open collector, 2x SSR, 2x latching relay

DATA OUTPUT

**Protocol:** ASCII, MESSBUS, MODBUS - RTU, PROFIBUS  
**Data format:** 8 bit + no parity + 1 stop bit (ASCII)  
 7 bit + even parity + 1 stop bit (DIN Messbus)  
**Rate:** 600...230 400 Baud  
**RS 232:** isolated  
**RS 485:** isolated, addressing (max. 31 instruments)

ANALOG OUTPUT

**Type:** isolated, programmable with resolution of max. 10 000 points, AO corresponds with the displayed data, type and range are selectable in programming mode  
**Non-linearity:** 0,2 % of range  
**TC:** 100 ppm/°C  
**Rate:** response to change of value < 150 ms  
**Ranges:** 0...2/5/10 V, 0...5 mA, 0/4...20 mA (on request ±10V) (comp. < 500 Ω/12 V or < 1 000 Ω/24 V)

EXCITATION

**Adjustable:** 4...24 VDC/max. 1,2 W, isolated  
**Fixed:** 10 VDC, max. load 80 Ω

POWER SUPPLY

10...30 V AC/DC, ±10%, 10 VA  
 80...250 V AC/DC, ±10%, 10 VA  
 Power supply is protected by a fuse inside the instrument

MECHANICAL PROPERTIES

**Material:** Noryl GFN2 SE1, incombustible UL 94 V-I  
**Dimensions:** 96 x 48 x 120 mm  
**Panel cutout:** 90,5 x 45 mm

OPERATING CONDITIONS

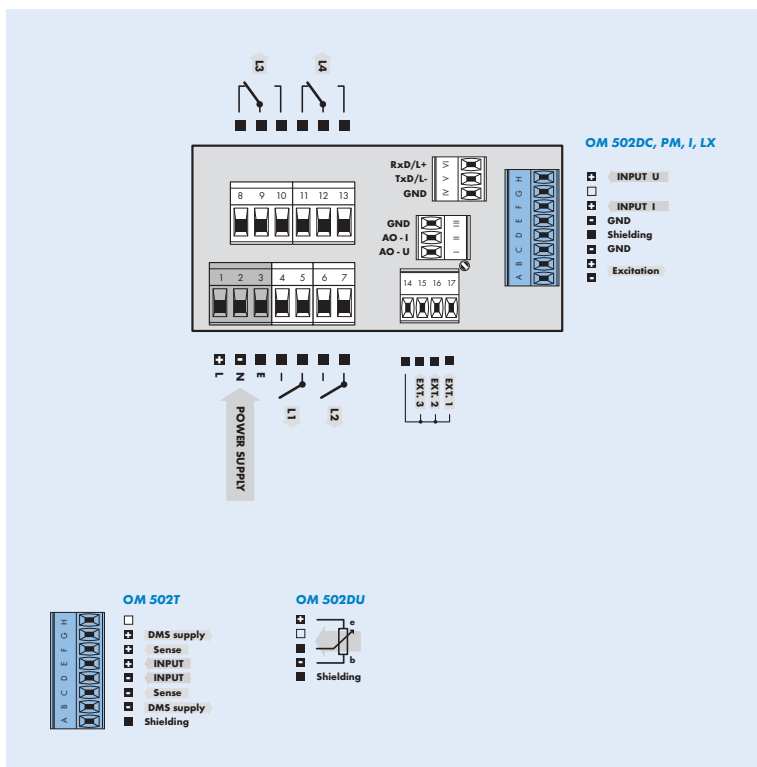
**Connection:** connector terminal board, section < 2,5 mm²  
**Stabilization period:** within 15 minutes after switch-on  
**Working temperature:** 0°...60 °C  
**Storage temperature:** -10°...85 °C  
**Cover:** IP65 (front panel only)  
**El. safety:** EN 61010-1, A2  
**Insulation resistance:** for pollution degree II, measuring cat. III. power supply > 670 V (PI), 300 V (DI) input, output, Exc. > 300 V (PI), 250 V (DI)  
**EMC:** EN 61000-3-2+A12; EN 61000-4-2, 3, 4, 5, 8, 11; EN 550222, A1, A2

PI - Primary insulation, DI - Double insulation

Measuring ranges

w/o	DC	PM	I	LX	DU	T
A	±99,999 mV	0...5 mA	0...5 mA	0...5 mA	potentiometer > 500 Ω	1...4 mV/V
B	±999,99 mV	0...20 mA	0...20 mA	0...20 mA		2...8 mV/V
C	±9,9999 V	4...20 mA	4...20 mA	4...20 mA		4...16 mV/V
D	±99,999 V	±2 V	±2 V	±2 V		
E	±300,00 V	±5 V	±5 V	±5 V		
F		±10 V	±10 V	±10 V		
K	±999,99 µA					
L	±9,9999 mA					
M	±99,999 mA					
N	±999,99 mA					
P	±5,0000 A					
Z	on request	on request	on request	on request		

Connection



Order code

**OM 502**

Type

D	C	.	.	.	.	.	.	.	.	.	.	.	.	.	.	.	.	.	.	.
P	M	.	.	.	.	.	.	.	.	.	.	.	.	.	.	.	.	.	.	.
I		.	.	.	.	.	.	.	.	.	.	.	.	.	.	.	.	.	.	.
L	X	.	.	.	.	.	.	.	.	.	.	.	.	.	.	.	.	.	.	.
D	U	.	.	.	.	.	.	.	.	.	.	.	.	.	.	.	.	.	.	.
T		.	.	.	.	.	.	.	.	.	.	.	.	.	.	.	.	.	.	.

Order code shall not include blank spaces!

<b>Power supply</b>	10...30 V AC/DC	0																		
	80...250 V AC/DC	1																		
<b>Option, see table „Measuring ranges“</b>		?																		
<b>Comparators</b>	no																			
	1x relay (switch-on)																			
	2x relay (switch-on)																			
	3x relay (2x switch-on + 1x switching)																			
	4x relay (2x switch-on + 2x switching)																			
	2x open collector																			
	4x open collector																			
	2x open collector + 2x relay (switching)																			
	2x relay (switching)																			
	2x SSR																			
	2x latching relay																			
	1x relay (switching)																			
<b>Data output</b>	none																			
	(For type „LX“ in basic set) RS 232																			
	RS 485																			
	MODBUS*																			
	PROFIBUS*																			
<b>Analog output</b>	no																			
	yes (comp. < 500 Ω/12 V)																			
	yes (comp. < 1 000 Ω/24 V)																			
<b>Excitation</b>	no																			
	yes																			
<b>Data record</b>	no																			
	RTC																			
	FAST																			
<b>Display color</b>	red																			
	green																			

\* Scheduled for sale in 1st Q of 2007