

OMA 10S



- **Manual switch of measuring points**
- **Size of DIN 96 x 48 mm**

Description

The OMA 10S model is a panel manual switch of measuring points. For its parameters, low transitional resistance and high endurance the switch is designed for low-voltage applications (e.g. for sensors Pt 100)

Operation

Switching of the measuring points is performed by revolving switch on the front panel.

Technical data

INPUT

Connection: 4 x 10 positions
 - number of positions is adjustable inside the switch (2...10 x 4)
 Max. load: 30 VDC/100 mA
 Max. switching current: 5 mA

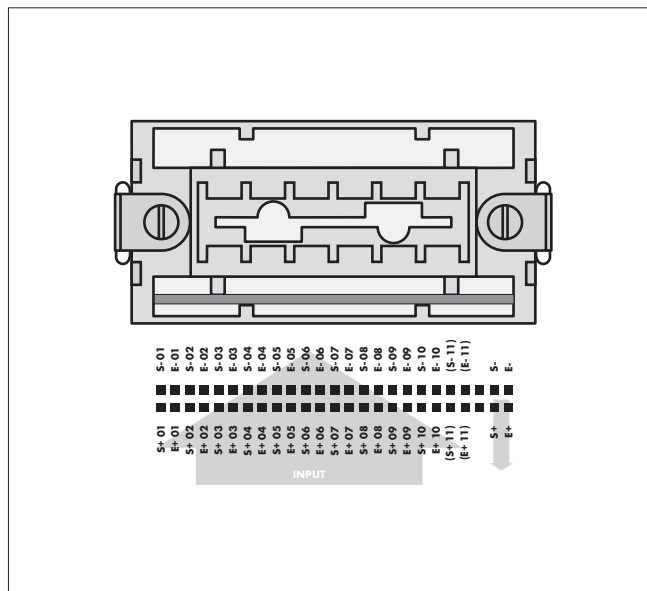
MECHANIC PROPERTIES

Material: Noryl GFN2 SE1, incombustible UL 94 V-I
 Dimensions: 96 x 48 x 110 mm
 Panel cut-out: 92 x 45 mm

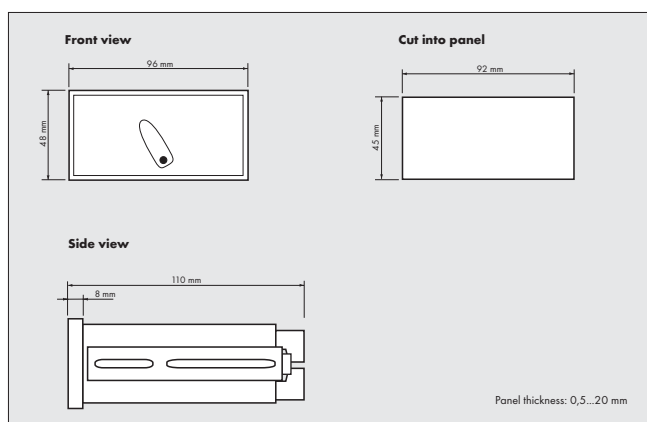
OPERATING CONDITIONS

Connection: terminal board, conductor section up to 2,5 mm²
 Working temperature: 0°...60°C
 Storage temperature: -10°...85°C
 Covering: IP40
 Construction: safety class I
 Isolation resistance: 50 V
 Electrical safety: EN 61010-1, A2
 EMC: EN 61000-3-2+A12; EN 61000-4-2, 3, 4, 5, 8, 11; EN 550222, A1, A2

Connection



Dimensions



Order code

OMA 10S