

## OMA 10S



2003-3-en

- **Manual switch of measuring points**
- **Size of DIN 96 x 48 mm**

### Description

The OMA 10S model is a manual panel switch of measuring points. For its parameters, low transitional resistance and high endurance the switch is designed for low-voltage applications (e.g. for sensors Pt 100)

### Operation

Switching of the measuring points is performed by revolving switch on the front panel.

## Technical data

### INPUT

Connection: 4 x 10 positions  
 - number of positions is adjustable inside the switch (2...10 x 4)  
 Max. load: 30 VDC/100 mA  
 Max. switching current: 5 mA

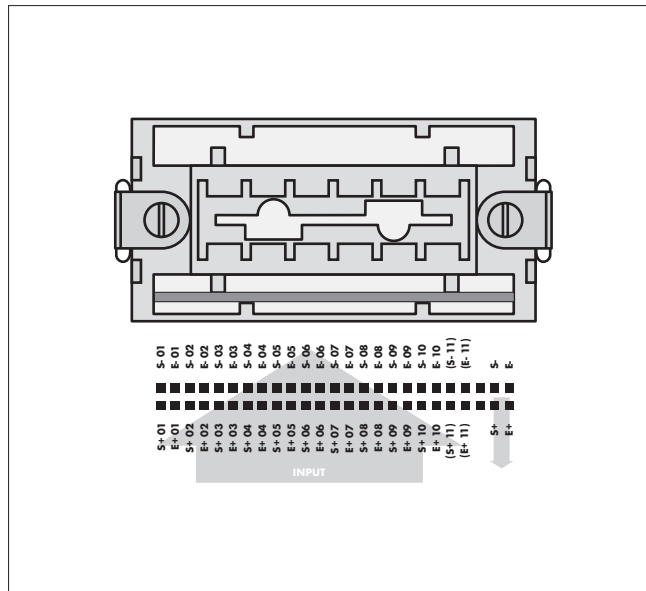
### MECHANIC PROPERTIES

Material: Noryl GFN2 SE1, incombustible UL 94 V-I  
 Dimensions: 96 x 48 x 110 mm  
 Panel cut: 92 x 45 mm

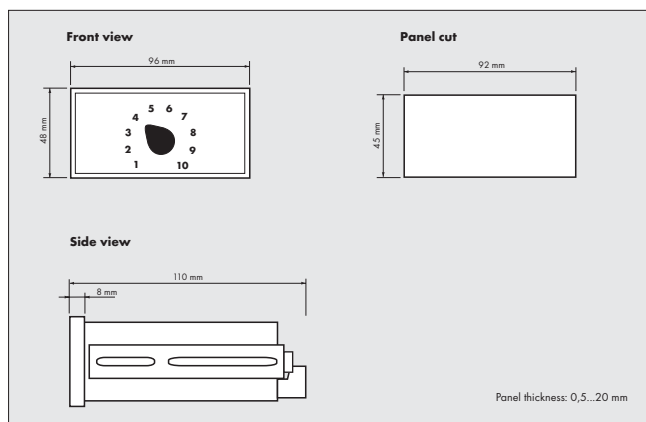
### OPERATING CONDITIONS

Connection: terminal board, conductor section up to 2,5 mm<sup>2</sup>  
 Working temperature: 0°...60°C  
 Storage temperature: -10°...85°C  
 Covering: IP40  
 Construction: safety class I  
 Isolation resistance: 50 V  
 Electrical safety: EN 61010-1, A2  
 EMC: EN 61000-3-2+A12; EN 61000-4-2, 3, 4, 5, 8, 11; EN 55022, A1, A2

## Connection



## Dimensions



## Order code

**OMA 10S**