

OM 371PWR



- **3 3/4 digit programmable projection**
- **0...450 V/0...5 A**
- **Dual comparator**
- **Size of DIN 96 x 48 mm**
- **Power supply 230 VAC**

Extension

Data output • Universal analogue output • Power supply 24 VAC, 110 VAC, 8...32 VDC

Description

The OM 371W model is a 3 3/4 digit universal panel programmable wattmeter.

The instrument is based on an 8-bit μ -controller with a converter, that secures high accuracy, stability and easy operation of the instrument.

Standard functions

Programmable display projection

Measuring modes voltage (V_{RMS}), current (A_{RMS}), power output (W), frequency (Hz) and with calculation of Q, S, $\cos \varphi$

Setting manual, optional projection on the display may be set for maximum value of the input signal in „CM“, e.g.: 0...250 V/0...5 and \Rightarrow 0...1.500 MW

Projection -999...3999

Digital filter

Radius of insensitiv. band of suppressed change of measured value

External control

Hold display/instrument blocking

Lock control keys blocking

Output

Limits 2 relays with switching contact,
The limit has both adjustable hysteresis and optional delay of the switch-on. Reaching the limit is signalled by LED and at the same time by the switch-on of the relevant relay.

Operation

The instrument is set and controlled by five control keys located on the front panel. All programmable settings of the instrument are realised in two adjusting modes.

Configuration menu (hereinafter referred to as CM) is protected by an optional number code and contains complete instrument setting

User menu may contain arbitrary programming settings defined in „CM“ with another selective restriction (see, change)

All programmable parameters are stored in the EEPROM memory (they hold even after the instrument is switched off). The measured units may be projected on the display.

Options

Data outputs are for their rate and accuracy suitable for transmission of the measured data for further projection or directly into the control systems. We offer an isolated RS232 and RS485 with the ASCII protocol.

Analogue outputs will find their place in applications where further evaluating or processing of measured data is required in external devices. We offer universal analogue output with the option of selection of the type of output - voltage/current. The value of analogue output corresponds with the displayed data and its type and range are selectable in programming mode.

Technical data

MEASURING RANGE

Active power output: $\pm 0...9999$ W
 Voltage input: 0...450 V
 Current input: 0...5 A
 Frequency range: 40...400 Hz

With converter transformer or shunt, optional power output may be measured up to max.projection 9999.

PROJECTION

Display: -999...3999, red or green 14-segment LED, digit height 14 mm
 Decimal point: adjustable - in Configuration menu
 Brightness: adjustable - in Configuration/User menu

INSTRUMENT ACCURACY

Tempco: 50 ppm/°C
 Accuracy: $\pm 0,5$ % of range
 Rate: 0,6 - 1,2 - 2,5 - 5 measurements/s
 Overload capacity: 10x ($t < 100$ ms) - does not apply for 450 V and 5 A, 2x (long-term)
 Watch-dog: reset after 1,2 s
 Function: Hold/Lock (upon contact)
 Calibration: Digital filter - adjustable in Configuration menu at 25°C and 40 % r.h.

COMPARATOR

Type: digital, adjustable in programming mode, contact switch-on < 10 ms
 Limit 1 and 2: -999...3999
 Hysteresis: 0...999
 Delay: 0...99,9 s
 Outputs: 2 relays with switch-on (switch-off) contact (250 VAC/30 VDC, 3 A)
 - the relay function is adjustable in Configuration menu
 upon request the output may be fitted with SSR (250 VAC, 1 A)

DATA OUTPUTS

Data format: rate 600...115 200 Baud
 8 bit + no parity + 1 stop bit (ASCII)
 RS 232: isolated
 RS 485: isolated, addressing (max. 31 instruments)

ANALOGUE OUTPUTS

Type: isolated, programmable with resolution max. 14 bit, analogue output corresponds with displayed data, output type and range are selectable in Configuration menu
 Non-linearity: 0,2 % of range
 Tempco: 100 ppm/°C
 Rate: response to change of value < 100 ms
 Voltage: 0...2 V/5 V/10 V
 Current: 0...5 mA/0/4...20 mA (compensation of conduct up to 600 Ohm)

POWER SUPPLY

24/110/230 VAC/50 Hz
 8...32 VDC/max. 300 mA, (24 VDC/max. 150 mA), isolated

MECHANIC PROPERTIES

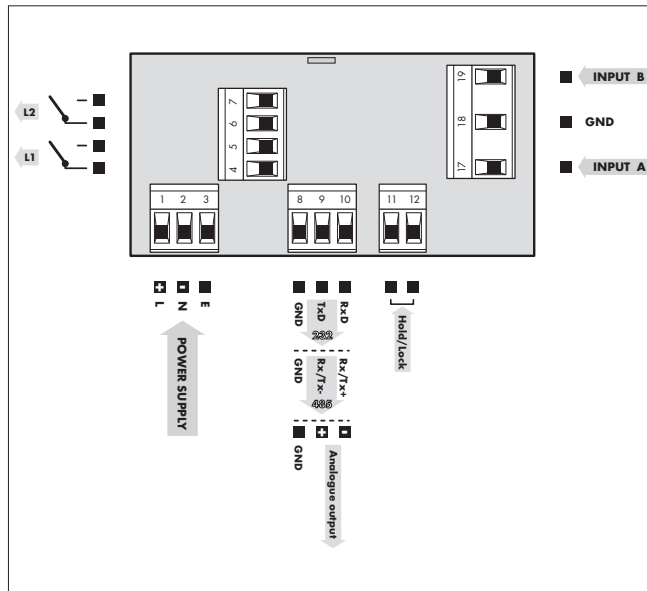
Material: Noryl GFN2 SE1, incombustible UL 94 V-I
 Dimensions: 96 x 48 x 120 mm
 Panel cut-out: 90,5 x 45 mm

OPERATING CONDITIONS

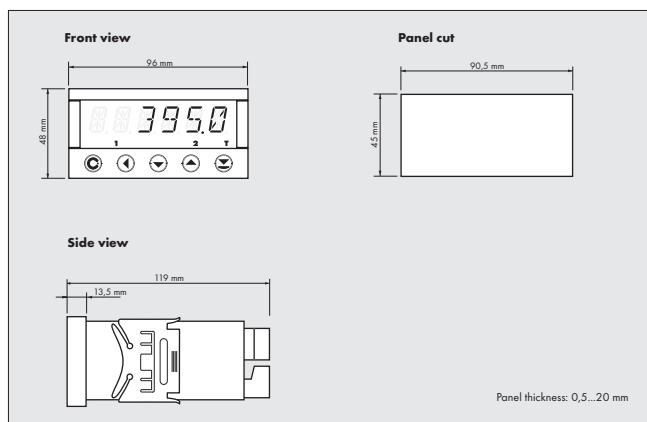
Connection: connector terminal board, conductor section up to 2,5 mm²
 Stabilization period: within 15 minutes after switch-on
 Working temperature: 0°...60°C
 Storage temperature: -10°...85°C
 Covering: IP65 (front panel only)
 Construction: safety class I
 Electrical safety: EN 61010-1, A2
 Overvoltage category: for pollution degree II
 III. - instrument power supply (300 V)
 II. - input, output (300 V)

EMC: EN 61000-3-2+A12; EN 61000-4-2, 3, 4, 5, 8, 11; EN 550222, A1, A2

Connection



Dimensions



Order code

