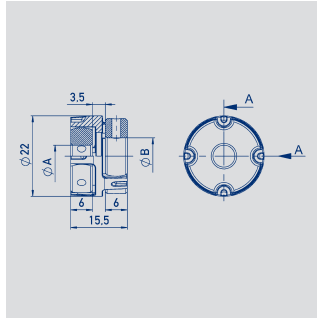
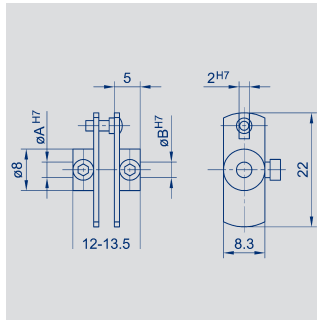
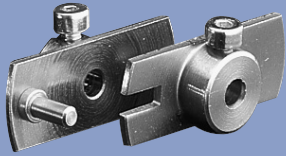


Accessories for Rotary Sensors - Shaft couplings



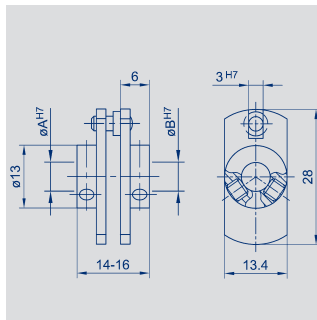
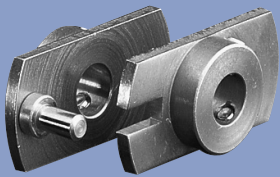
Shaft coupling for 6 up to 10 mm shaft diameters, backlash-free, double cardanic

Material	Aluminum, PEEK		
Max. torque	1 Nm		
Operating temperature	-40 ... +160° C		
Max. displacements	radial 0.1 mm, angular 0.45°		
Mounting	2 threaded pins with internal hexagon		
Type	ØA	ØB	P/N
Z-106-G6	6	6	103910
Z-106-G-6,35	6	6,35	103912
Z-106-G10	6	10	103913



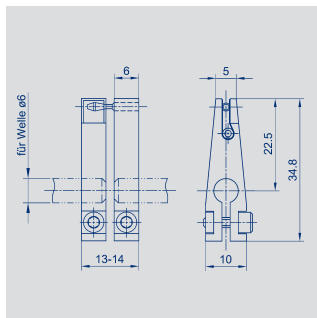
Fork coupling for 4 mm shaft diameters, low backlash

Material	stainless steel, ground driving pin		
Mounting	1 fillister head screw M2 each with internal hexagon. Angle screwdriver SW 1.5 in delivery included.		
Type	ØA	ØB	P/N
Z-103-G-3	3	3	005687



Fork coupling for 6 mm shaft diameters, low backlash

Material	stainless steel, ground driving pin		
Mounting	2 fillister head screws M3 each with internal hexagon. Angle screwdriver SW 1.5 in delivery included.		
Type	ØA	ØB	P/N
Z-104-G-6	6	6	005690



Fork coupling for 6 mm shaft diameters, backlash-free

Material	anodized aluminum, black, driving pin and spring hardened		
Max. transferable torque	5 Ncm		
Mounting	1 fillister head screw M3 each with internal hexagon. Angle screwdriver SW 2.5 in delivery included.		
Type	P/N		
Z-105-G-6	005691		

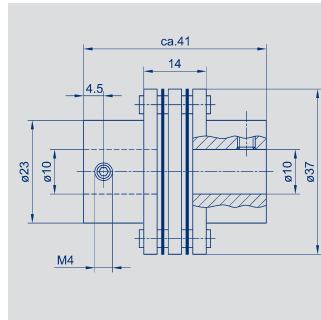
Novotechnik
Messwertaufnehmer OHG

Postfach 4220
73745 Ostfildern (Ruit)
Horbstraße 12
73760 Ostfildern (Ruit)

Telefon +49 711 4489-0
Telefax +49 711 4489-118
info@novotechnik.de
www.novotechnik.de



© 06/2015
Subject to changes.
Printed in Germany.



Coupling for 10 mm shaft diameters, backlash-free

Material	anodized aluminum, black Spring phosphor bronze
Max. transferable torque	24 Nm
Mounting	2 threaded pins with internal hexagon
Type	P/N
Z-110-G-10	005692