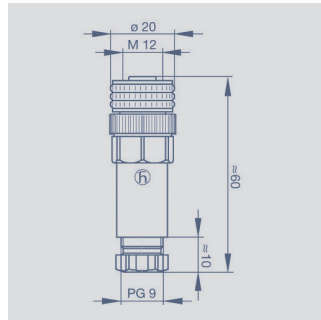
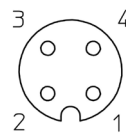


Accessories
Connector System M12

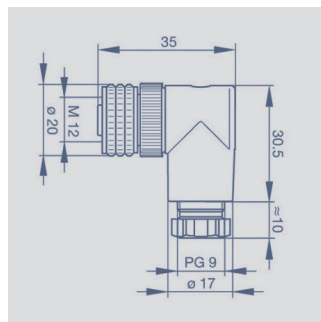


Pin assignment

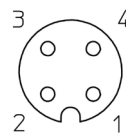


M12x1 Mating female connector, 4-pin, straight, A-coded, with coupling nut, screw termination, IP67, not shielded

Connector housing	Plastic PBT -25 °C...+90 °C
For wire gauge	6...8 mm, max. 0.75 mm ²
Type	EEM 33-88, P/N 005633

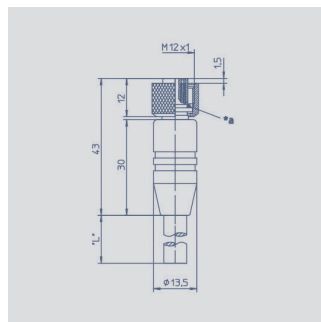
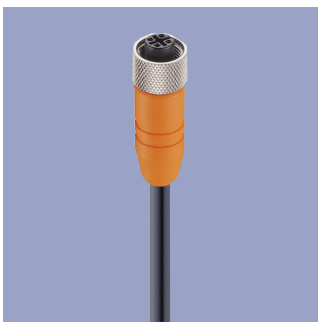


Pin assignment



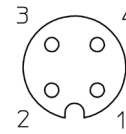
M12x1 Mating female connector, 4-pin, angled, A-coded, with coupling nut, screw termination, IP67, not shielded

Connector housing	Plastic PBT -25 °C...+90 °C
For wire gauge	6...8 mm, max. 0.75 mm ²
Type	EEM 33-89, P/N 005634



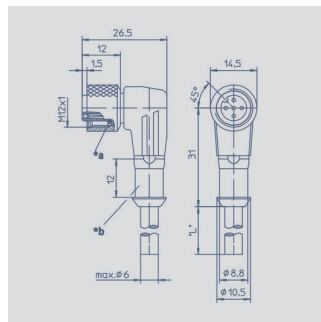
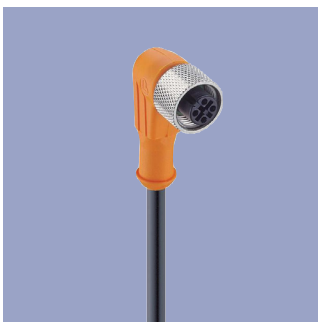
Pin assignment

- 1 = brown
- 2 = white
- 3 = blue
- 4 = black



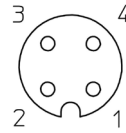
M12x1 Mating female connector, 4-pin, straight, A-coded, with molded cable, shielded, IP67, open ended

Connector housing	Plastic PA	
Cable sheath	PUR; Ø = max. 6 mm, -25 °C...+80 °C (moved) -50 °C...+80 °C (fixed)	
Wires	PP, 0.34 mm ²	
Length	Type	P/N
2 m	EEM 33-32	005600
5 m	EEM 33-62	005609
10 m	EEM 33-97	005650



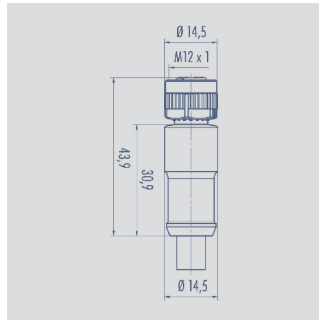
Pin assignment

- 1 = brown
- 2 = white
- 3 = blue
- 4 = black

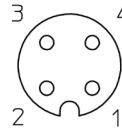


M12x1 Mating female connector, 4-pin, angled, A-coded, with molded cable, shielded, IP67, open ended

Connector housing	Plastic PA	
Cable sheath	PUR; Ø = max. 6 mm, -25 °C...+80 °C (moved) -50 °C...+80 °C (fixed)	
Wires	PP, 0.34 mm ²	
Length	Type	P/N
2 m	EEM 33-33	005601
5 m	EEM 33-63	005610
10 m	EEM 33-99	005696



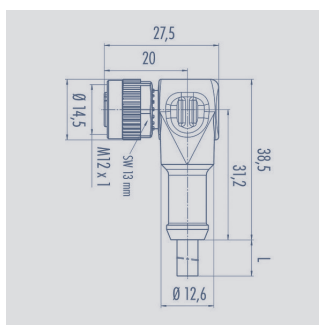
Pin assignment
 1 = brown
 2 = white
 3 = blue
 4 = black



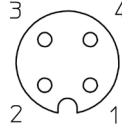
M12x1 Mating female connector, 4-pin, straight, A-coded, with molded cable, not shielded, IP67, open ended

Connector housing	Plastic PA	
Cable sheath	PUR; Ø = max. 6 mm, -40 °C...+85 °C (fixed)	
Wires	PP, 0.34 mm ²	

Length	Type	P/N
2 m	EEM 33-35	056135
5 m	EEM 33-36	056136
10 m	EEM 33-37	056137



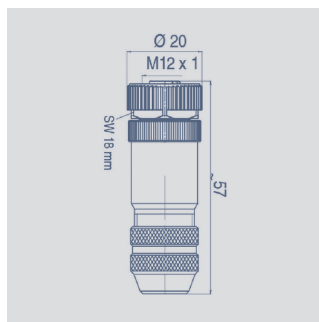
Pin assignment
 1 = brown
 2 = white
 3 = blue
 4 = black



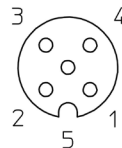
M12x1 Mating female connector, 4-pin, angled, A-coded, with molded cable, not shielded, IP67, open ended

Connector housing	Plastic PA	
Cable sheath	PUR; Ø = max. 6 mm, -40 °C...+85 °C (fixed)	
Wires	PP, 0.34 mm ²	

Length	Type	P/N
2 m	EEM 33-38	056138
5 m	EEM 33-39	056139
10 m	EEM 33-40	056140

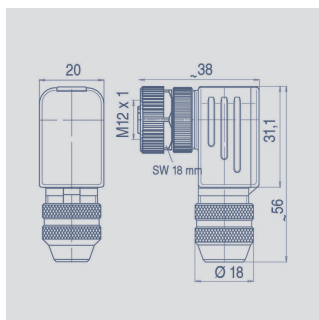


Pin assignment

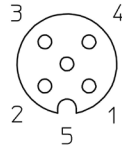


M12x1 Mating female connector, 5-pin, straight, A-coded, with coupling nut, screw termination, IP67, shielded, CAN-bus

Connector housing	Metal -40 °C...+85 °C	
For wire gauge	6...8 mm, max. 0.75 mm ²	
Type	EEM 33-73, P/N 005645	



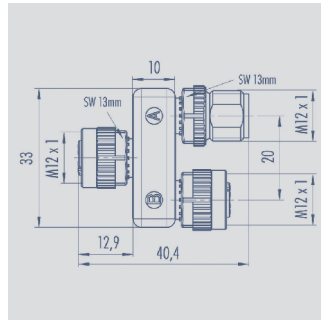
Pin assignment



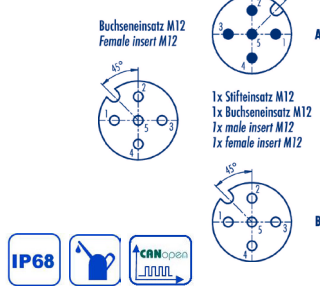
M12x1 Mating female connector, 5-pin, angled, A-coded, with coupling nut, screw termination, IP67, shielded, CAN-Bus

Connector housing	Metall -40 °C...+85 °C	
For wire gauge	6...8 mm, max. 0.75 mm ²	
Type	EEM 33-75, P/N 005646	

It is possible to turn and fix the contact carrier in 90° positions.



Pin assignment

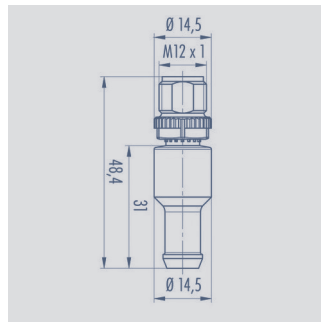


M12x1 splitter / T-connector, 5-pin, A-coded, IP68, 1:1 connection, female - male - female, CAN-Bus

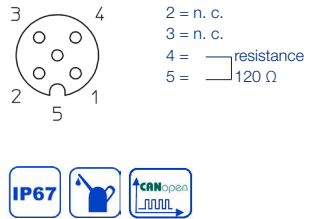
Connector housing PUR

Temperature range -25 °C... +85 °C

Type EEM 33-45, P/N 056145



Pin assignment

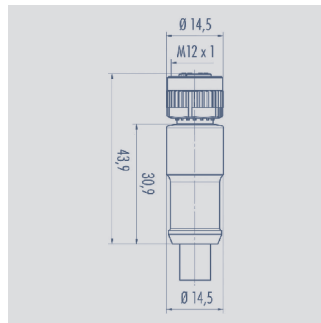


M12x1 terminating resistor, 5-pin, A-coded, IP67, 120 Ω resistance, CAN-Bus

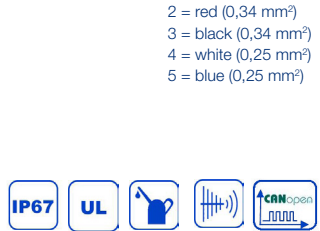
Connector housing PUR

Temperature range -25 °C... +85 °C

Type EEM 33-47, P/N 056147



Pin assignment



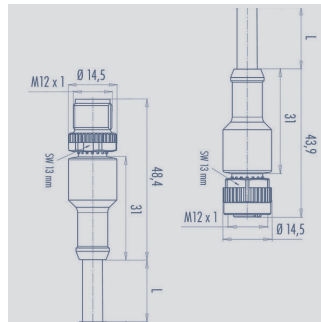
M12x1 Mating female connector, 5-pin, straight, A-coded, with molded cable, IP67, shielded, open ended, CAN-Bus

Connector housing PUR

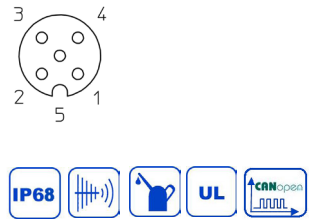
Cable sheath PUR Ø = max. 7.2 mm, -25 °C...+85 °C (moved)

Wires PP 2x 0.25 mm² + 2 x 0.34 mm²

Length	Type	P/N
2 m	EEM 33-41	056141
5 m	EEM 33-42	056142
10 m	EEM 33-43	056143



Pin assignment



M12x1 Mating female connector, 5-pin, straight, A-coded, with molded cable, IP68, CAN-Bus

Connector housing PUR

Cable sheath PUR; Ø 7.2 mm -25 °C... +85 °C (fixed)

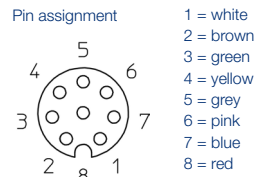
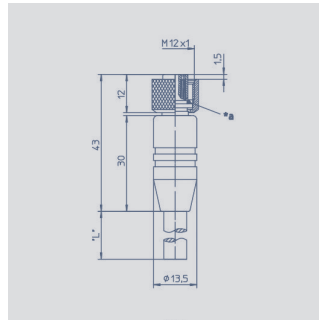
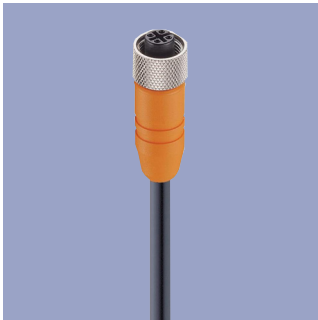
Length	Type	P/N
5 m	EEM 33-44	056144



Novotechnik
Messwertaufnehmer OHG
Postfach 4220
73745 Ostfildern (Germany)
Horbstraße 12
73760 Ostfildern (Germany)
Telefon +49 711 4489-0
Telefax +49 711 4489-118
info@novotechnik.de
www.novotechnik.de

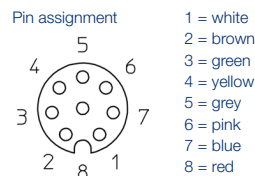
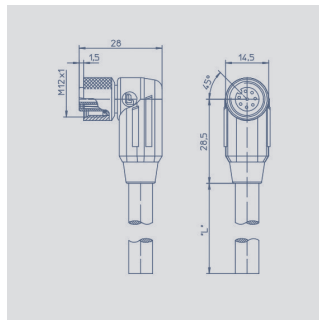
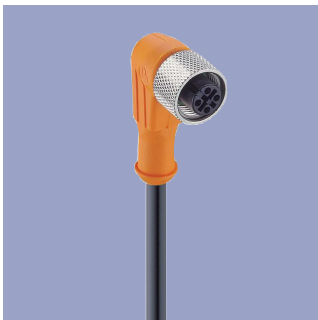


© 09/2014
Subject to change.
Printed in Germany.



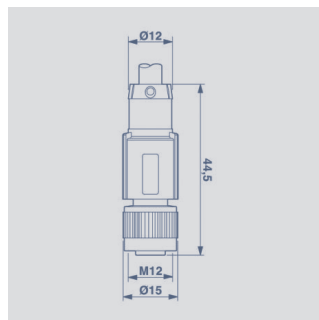
M12x1 Mating female connector, 8-pin, straight, A-coded, with molded cable, shielded, IP67, open ended

Connector housing	Plastic PA	
Cable sheath	PUR; Ø = max. 8 mm, -25 °C...+80 °C (moved) -50 °C...+80 °C (fixed)	
Wires	PP, 0.25 mm ²	
Length	Type	P/N
2 m	EEM 33-86	005629
5 m	EEM 33-90	005635
10 m	EEM 33-92	005637



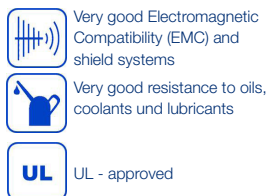
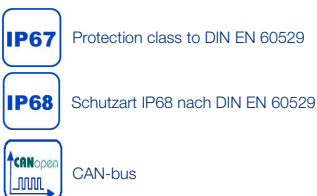
M12x1 Mating female connector, 8-pin, angled, A-coded, with molded cable, shielded, IP67, open ended

Connector housing	Plastic PA	
Cable sheath	PUR; Ø = max. 8 mm, -25 °C...+80 °C (moved) -50 °C...+80 °C (fixed)	
Wires	PP, 0.25 mm ²	
Length	Type	P/N
2 m	EEM 33-87	005630
5 m	EEM 33-91	005636
10 m	EEM 33-93	005638



M12x1 Mating female connector, 8-pin, straight, A-coded, with molded 6-pin cable, shielded, IP67, open ended, bus system-cable VARAN

Connector housing	Plastic PA	
Cable sheath	PP; Ø = max. 7.8 mm, -25 °C...+90 °C (socket) -20 °C...+80 °C (cable)	
Wires	PP, 4x0.25 mm ² (signal) 2x0.38 mm ² (supply)	
Length	Type	P/N
2 m	EEM 33-01	056131
5 m	EEM 33-02	056132
10 m	EEM 33-03	056133



Note: The protection class is valid only in locked position with its plugs. The application of these products in harsh environments must be checked in particular cases.