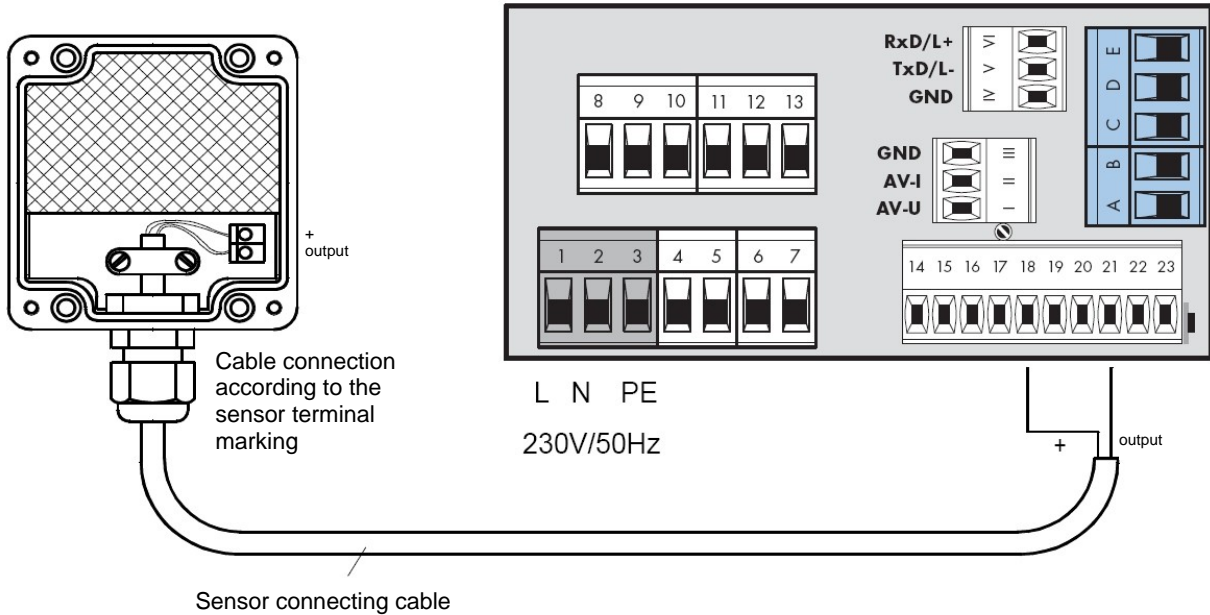
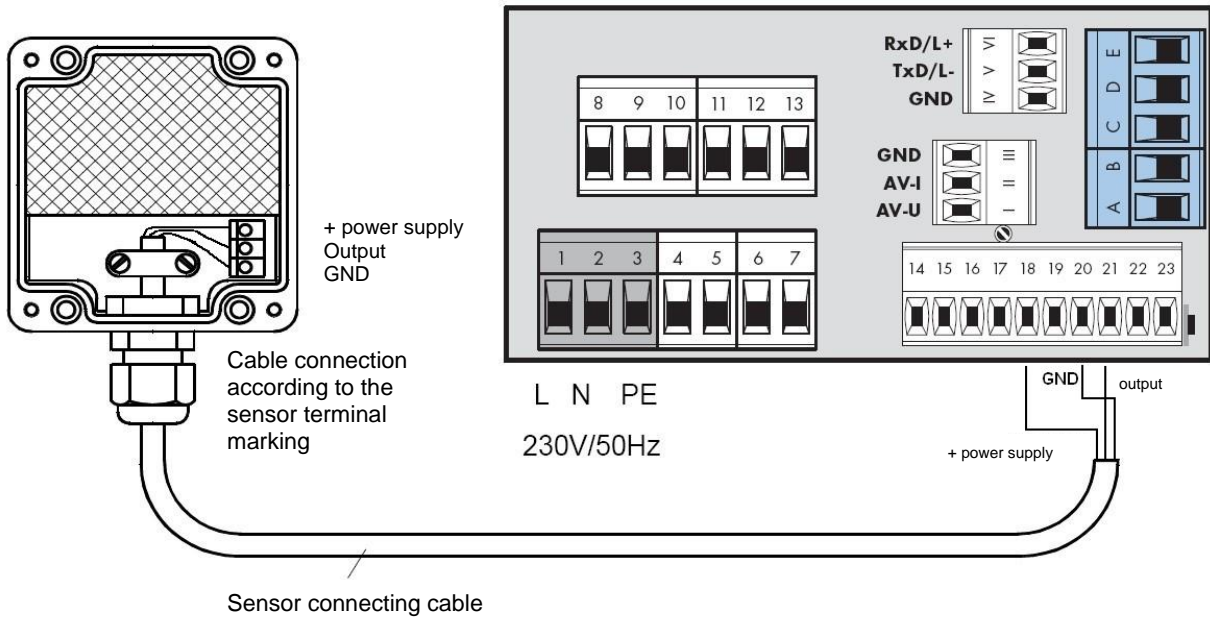


A 2-wire connection of a sensor with current output powered by the instrument's own excitation



A 3-wire connection of a sensor with current output powered by the instrument's own excitation





A 3-wire connection of a sensor with voltage output powered by the instrument's own excitation

