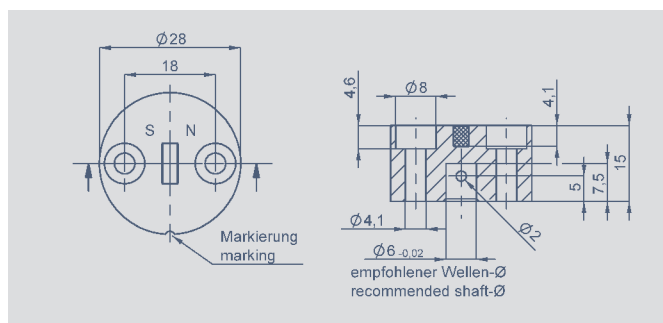
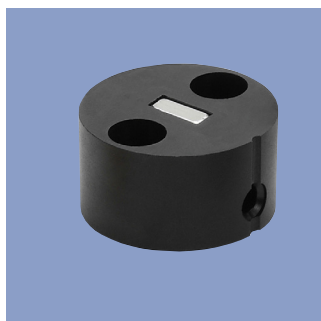


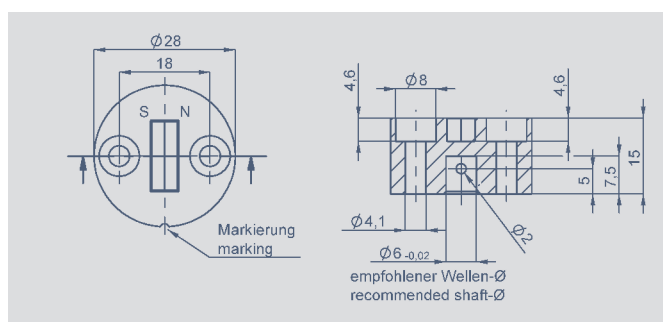
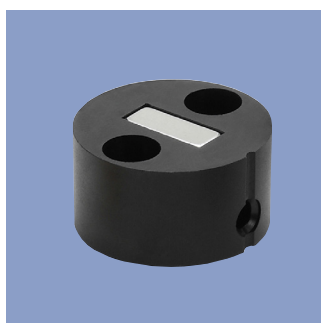
## Position Marker for touchless Rotary Sensors



### Z-RFC-P01

Position marker for frontal fixation with 2 cylinder head screws M4x20 (with microencapsulation) or with locking pin (included in delivery). Not recommended for new designs

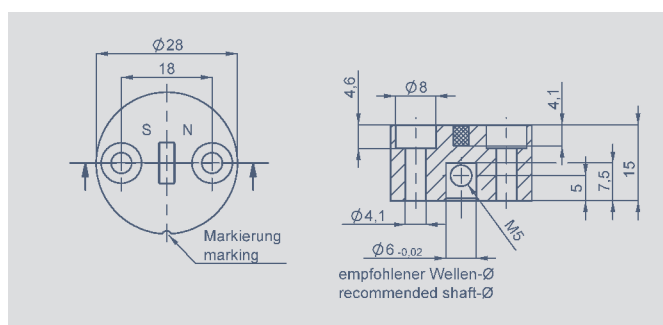
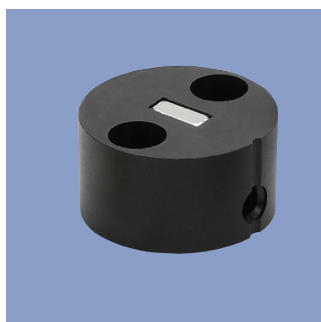
- max. permitted radial offset  $\pm 1.5$  mm
- packaging unit:  
1 pc. P/N 005660  
25 pcs. P/N 056079



### Z-RFC-P02

Position marker for frontal fixation with 2 cylinder head screws M4x20 (with microencapsulation) or with locking pin (included in delivery)

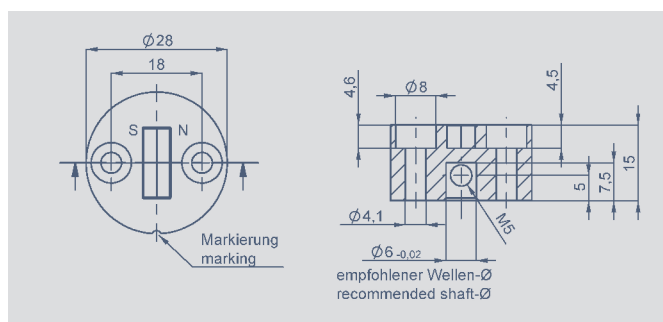
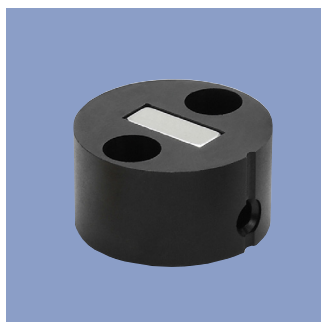
- max. permitted radial offset  $\pm 3$  mm
- packaging unit:  
1 pc. P/N 005661  
25 pcs. P/N 056080



### Z-RFC-P07

Position marker for fixation with threaded pin M5 (included in delivery). Not recommended for new designs

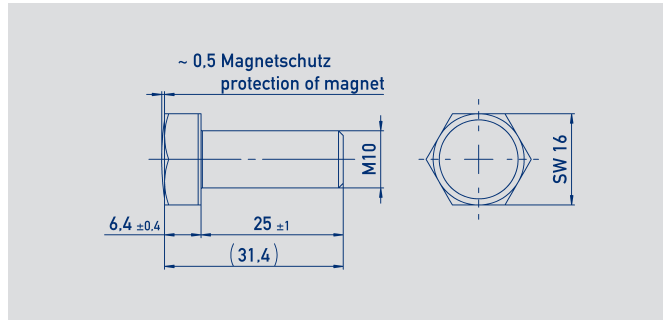
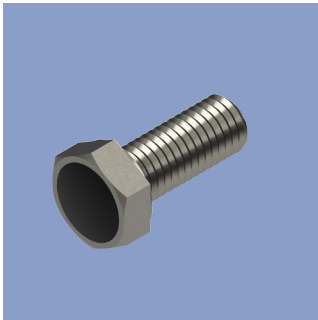
- max. permitted radial offset  $\pm 1.5$  mm
- packaging unit:  
1 pc. P/N 056069  
25 pcs. P/N 056083



### Z-RFC-P08

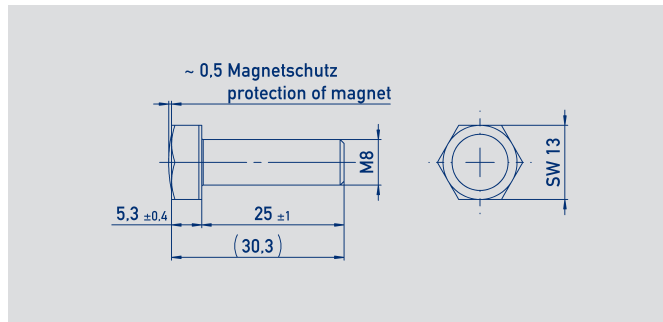
Position marker for fixation with threaded pin pin M5 (included in delivery)

- max. permitted radial offset  $\pm 3$  mm
- packaging unit:  
1 pc. P/N 056070  
25 pcs. P/N 056084



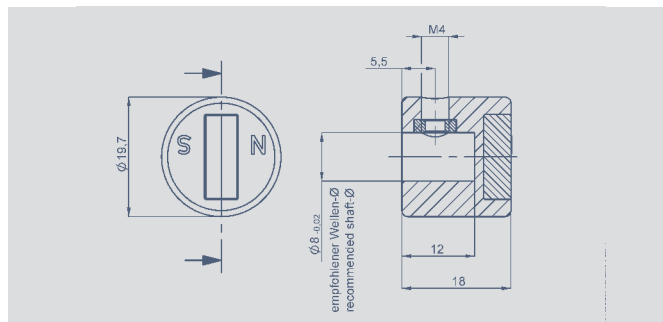
**Z-RFC-P16**  
Screw position marker  
M10 x 25 mm, similar DIN 933,  
A2, bare, magnet potted

- max. permitted radial offset ±3 mm
- packaging unit:  
1 pc. P/N 104203  
25 pcs. P/N 104204



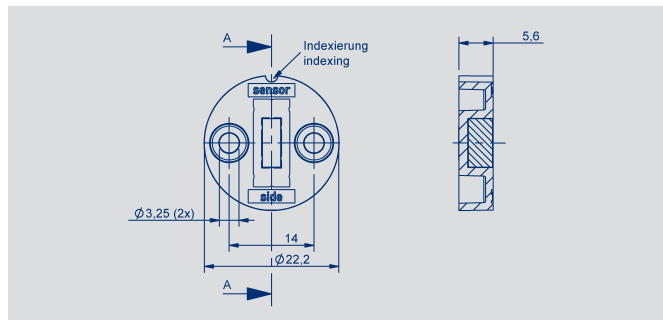
**Z-RFC-P17**  
Screw position marker  
M8 x 25 mm, similar DIN 933 /  
ISO 4017, A2, bare, magnet potted

- max. permitted radial offset ±1,5 mm
- packaging unit:  
1 pc. P/N 104205  
25 pcs. P/N 104206



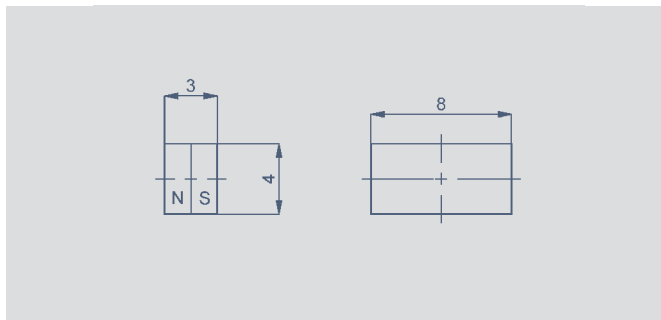
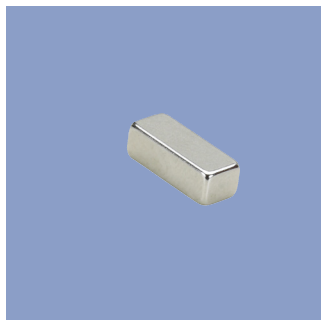
**Z-RFC-P23**  
Position marker for fixation with  
threaded pin M4  
(included in delivery)

- max. permitted radial offset ±3 mm
- packaging unit:  
1 pc. P/N 056074  
25 pcs. P/N 056085



**Z-RFC-P30**  
Position marker for frontal fixation  
with 2 fillister screws M3x8  
(included in delivery)

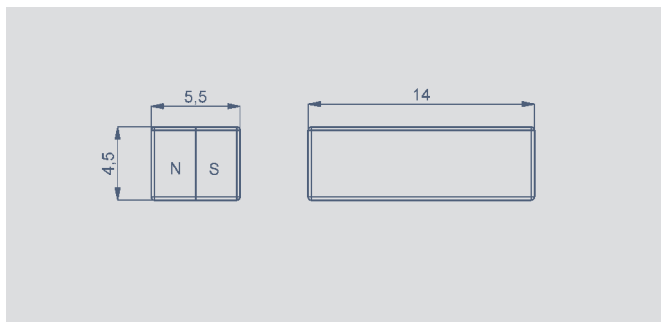
- max. permitted radial offset ±1.5 mm
- packaging unit:  
1 pc. P/N 056086  
25 pcs. P/N 056087



**Z-RFC-P03**

Magnet for direct application onto customer's shaft

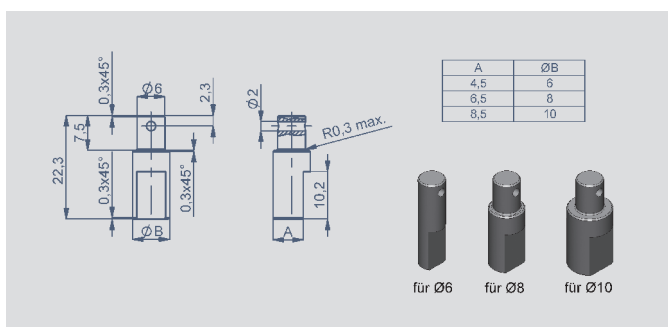
- max. permitted radial offset  $\pm 1,5$  mm
- packaging unit:  
1 pc. P/N 005658  
50 pcs. P/N 056081



**Z-RFC-P04**

Magnet for direct application onto customer's shaft

- max. permitted radial offset  $\pm 3$  mm
- packaging unit:  
1 pc. P/N 005659  
50 pcs. P/N 056082



**Z-RFC-S01 / Z-RFC-S02 / Z-RFC-S03**

Shaft adapter for Z-RFC-P01 and Z-RFC-P02.  
Fixation at position marker with locking pin

- Z-RFC-S01: Ø 6 mm, P/N 056206
- Z-RFC-S02: Ø 8 mm, P/N 056207
- Z-RFC-S03: Ø 10 mm, P/N 056208

